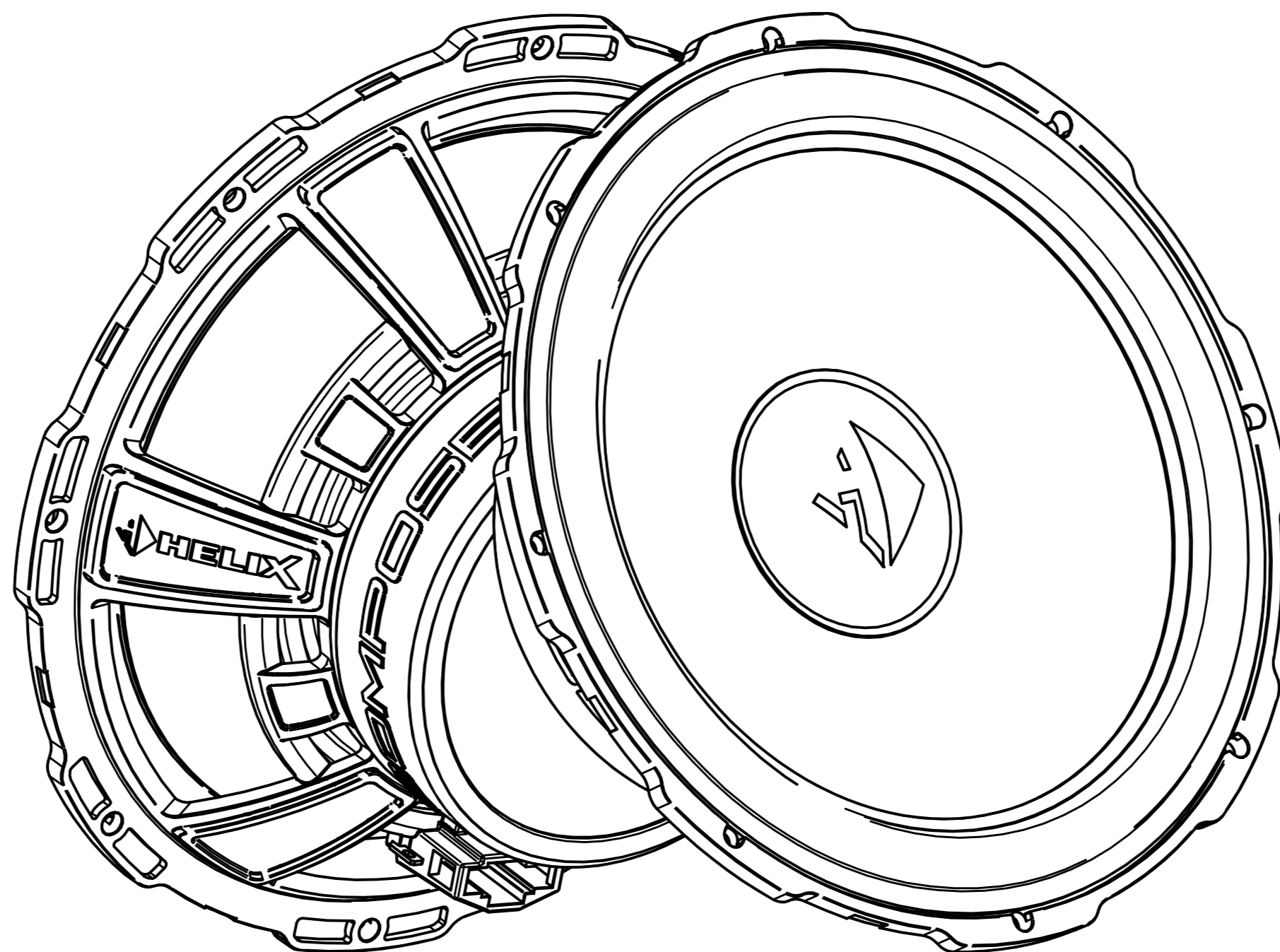




COMPOSE



engineered for best sound reproduction

	DIN ISO		V1.1
	2768-mk		Engineered in Germany
			COMPOSE
		Audiotec Fischer GmbH Hünegräben 26 57392 Schmallenberg	1
Status	Changes	Date	Name
			A2

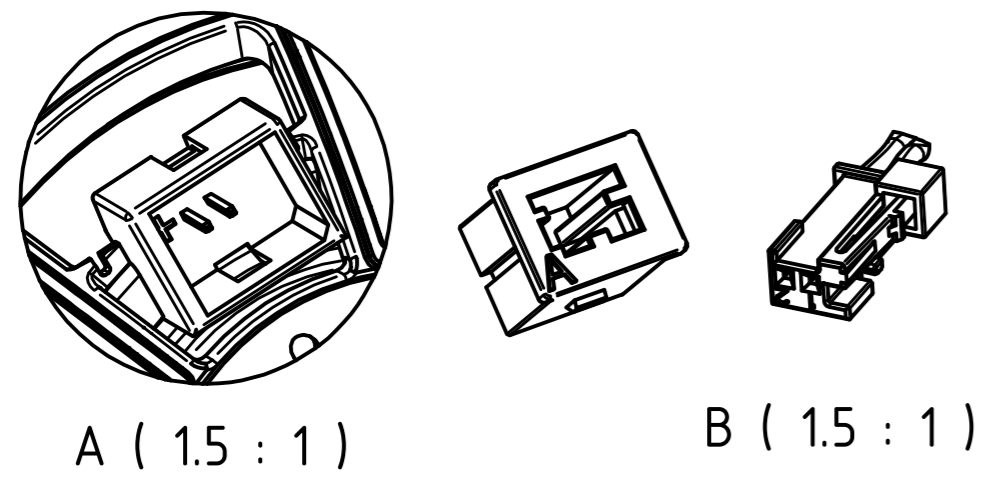
BASIC

i3

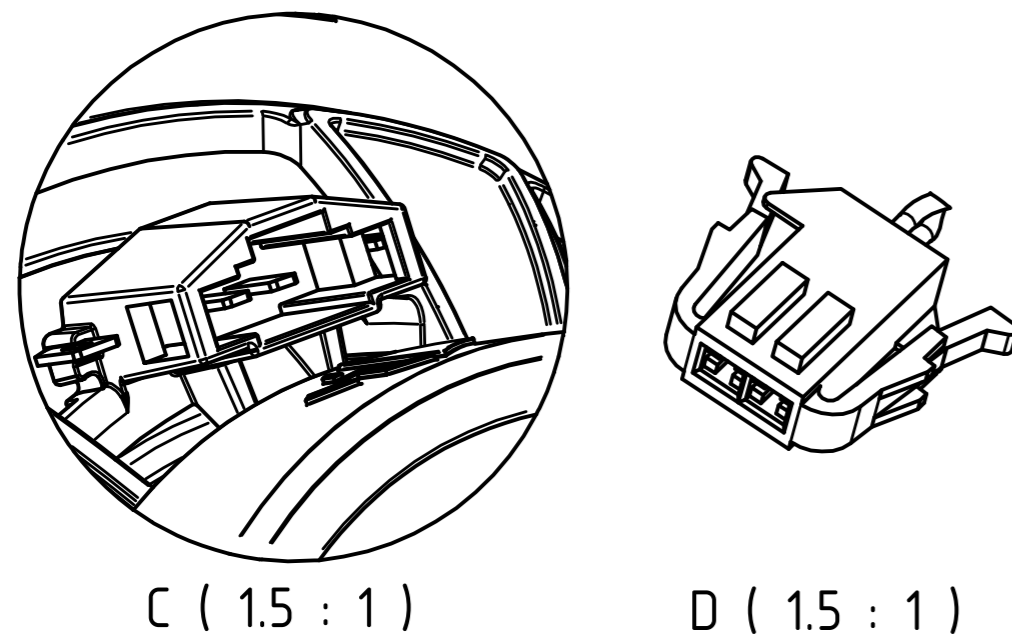
i7

Engineered in Germany	x	x	x
3 Ohms	x	x	x
2 Ohms (165/200 Woofer)		x	(x)-coming soon
High efficiency	x	x	x
Blade terminals	x	x	x
FlexMount20	x	x	x
FlexMount100		x	x
FlexMount165		x	x
FlexMount200		x	x
FlexConnect (only 100 mm / 4")		x	x
ProConnect		x	x
Compose Connect		x	x
Made in Germany			x
Tweeter technology	Silk dome	Titanium dome	Hand-coated silk dome with coupling volume
Cone speaker technology	Injected polypropylene cone	Cenosphere cone	Ultra high damping (UHD) cone

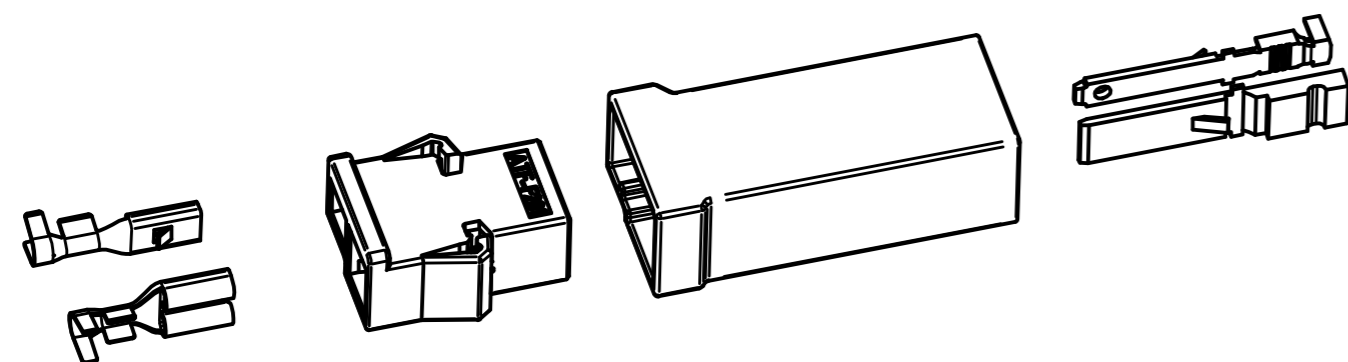
FlexConnect Terminal, Inlay and Plug



ProConnect Terminal and Plug

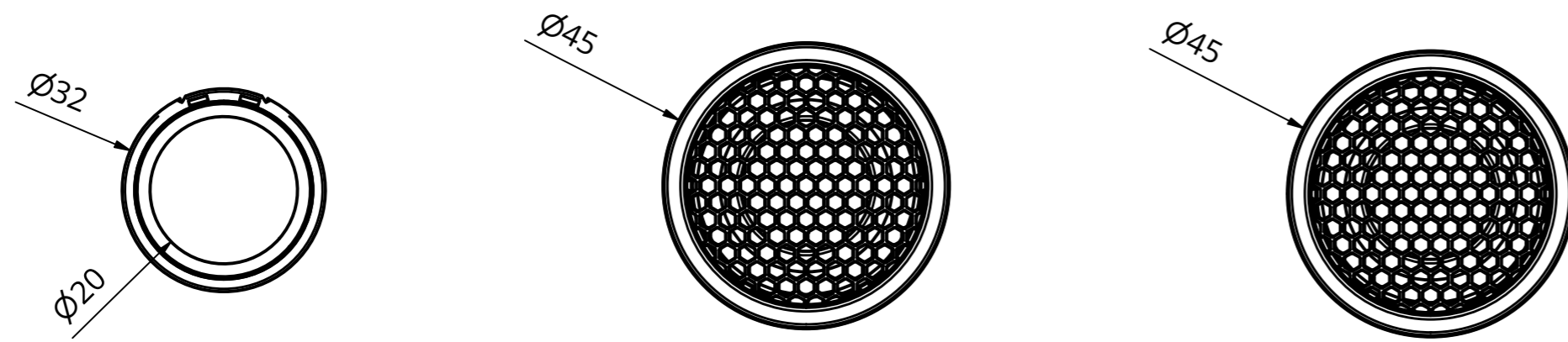


Compose Connect Male and Female Plug



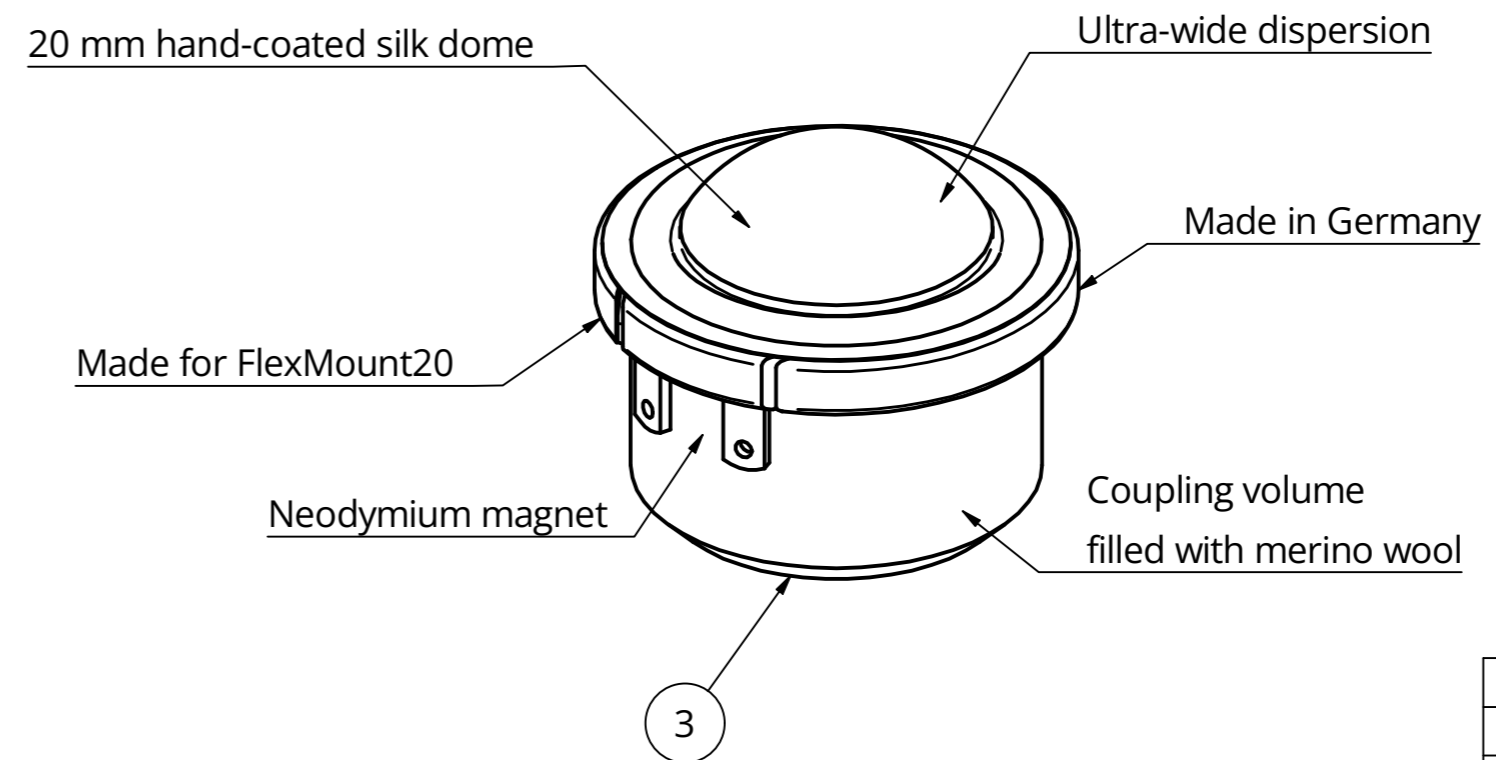
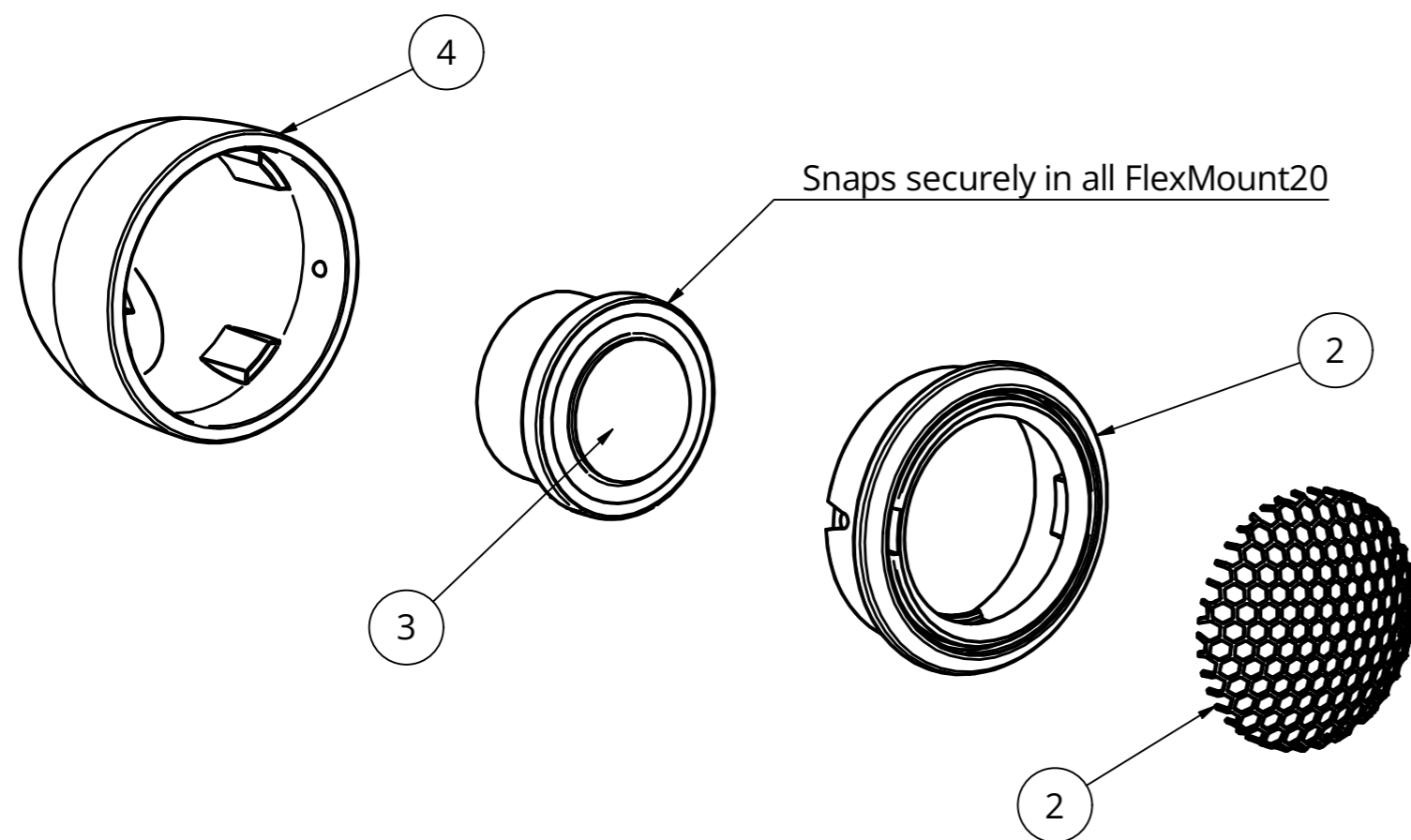
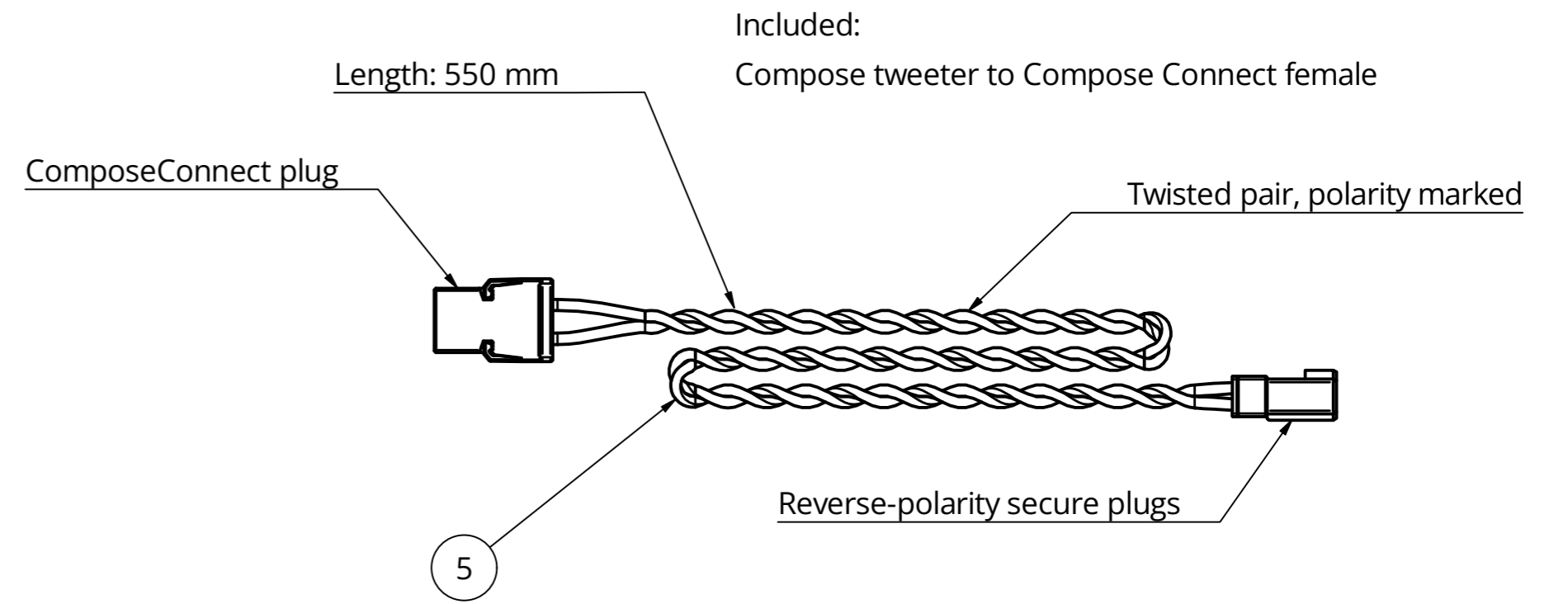
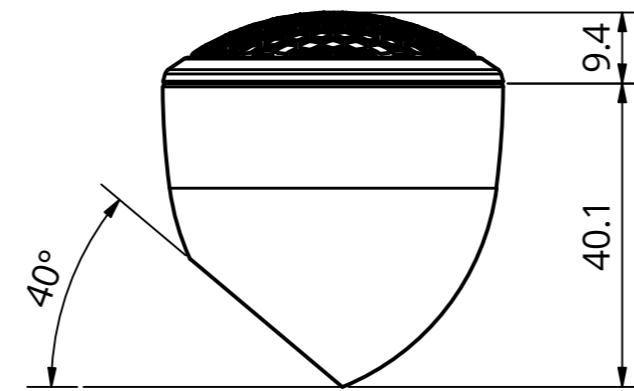
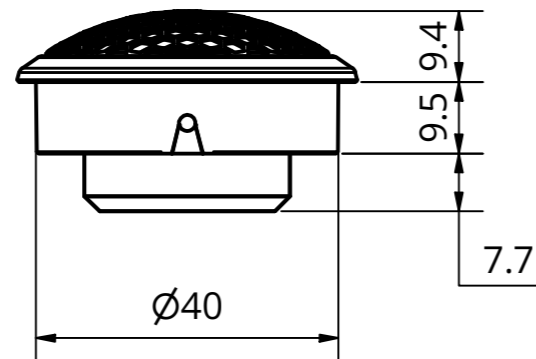
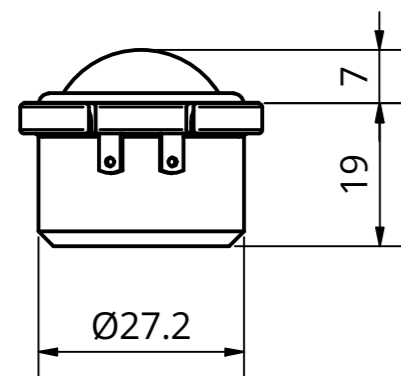
engineered for best sound reproduction

		DIN ISO 2768-mk	Made in Germany	
		Features Compose		
		Audiotec Fischer GmbH Hünegräben 26 57392 Schmallenberg		2 A2
Status	Changes	Date	Name	



Included:
Tweeter flush mount

Included:
Tweeter pod



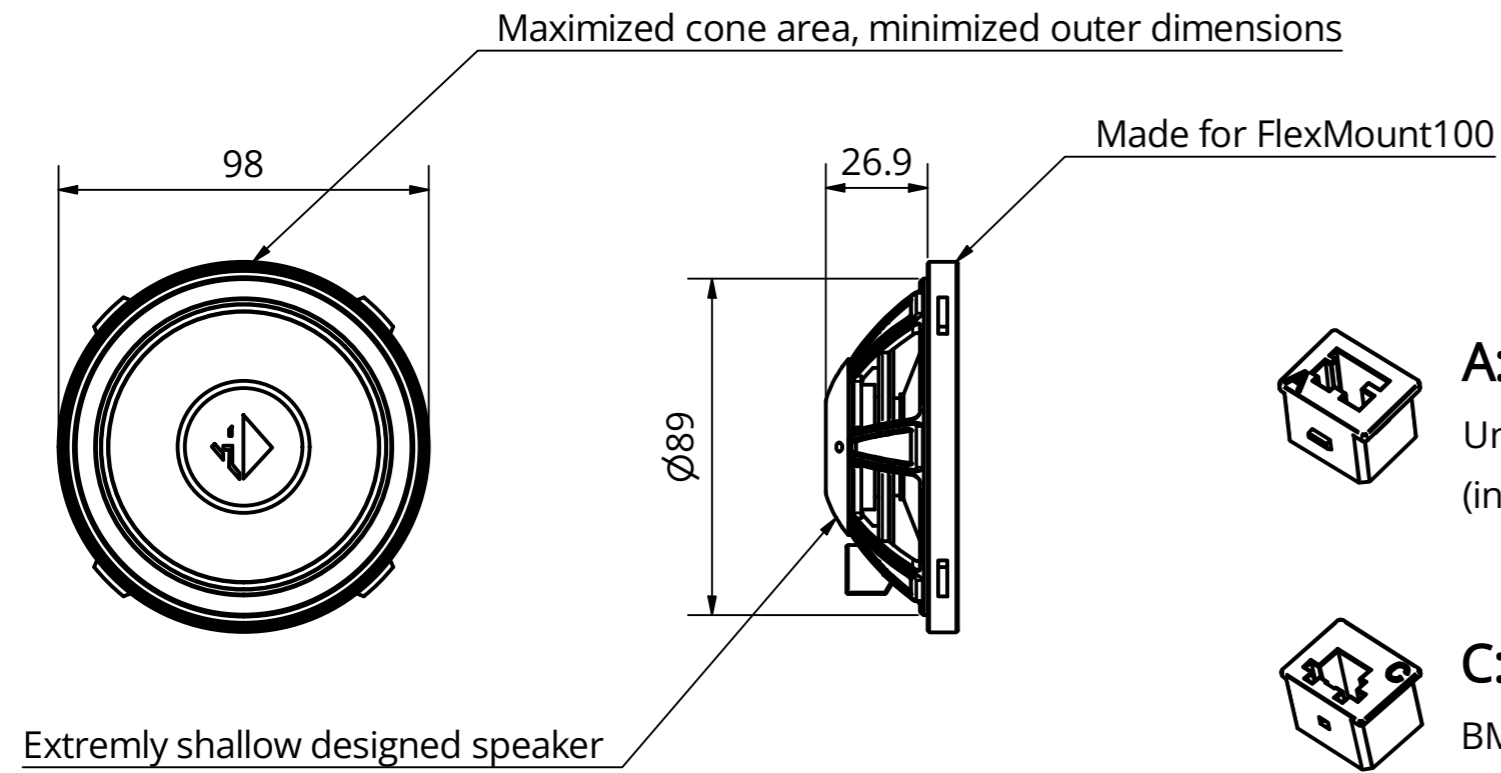
Z (Ω)	4
Re (Ω)	3.4
frequency response (Hz)	1,500 - 30,000
Fs (Hz)	950
SPL (dB 2.83V/1m)	91
SPL (dB 1W/1m)	88
voice coil ø (mm)	20

Contents of delivery

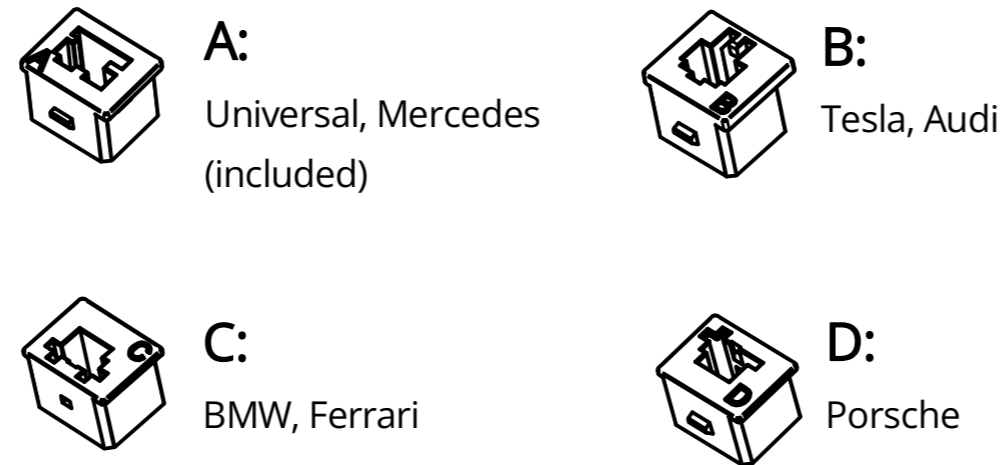
1	CFM20 GR.1	Tweeter grille
2	CFM20 MULTI.1	Tweeter flush mount with grille
3	Ci7 T20FM-SC	i7 T20FM-SC tweeter
4	CFM20 MULTI.2	Tweeter pod
5	CWK FX.T-550CC	Connection cable with Compose Connect

engineered for best sound reproduction

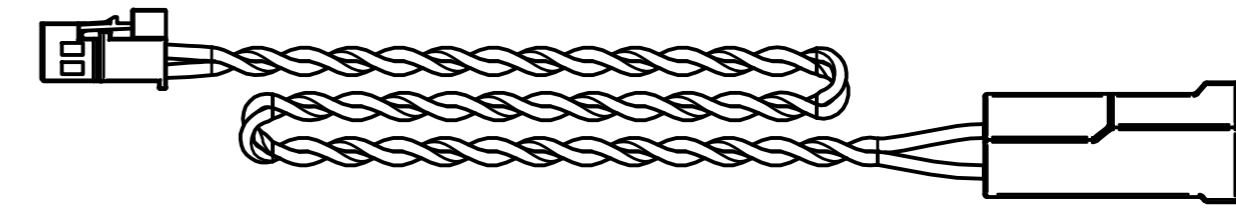
DIN ISO 2768-mk		1:1	0.041 kg
Made in Germany			
Ci7 T20FM-S3			
Audiotec Fischer GmbH Hünegräben 26 57392 Schmallenberg			3 A2
Status	Changes	Date	Name



FlexConnect Inlays:

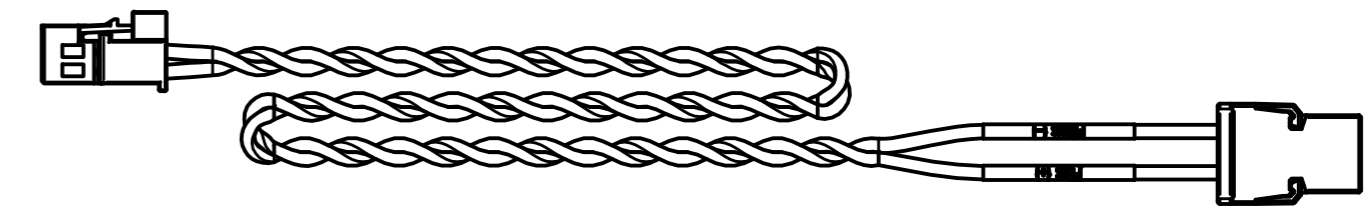


2 pairs of connection cables included



CWK M-225CC

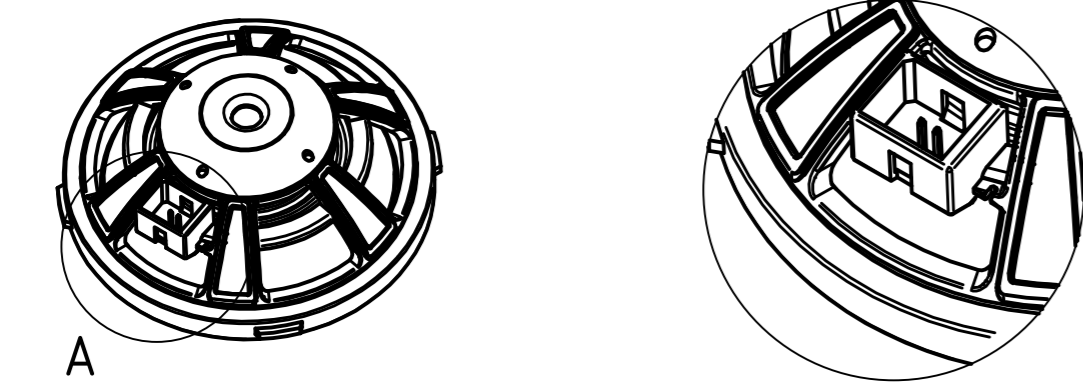
FlexConnect to Compose Connect male



CWK FX.M-550CC

FlexConnect to Compose Connect female

A (1 : 1)



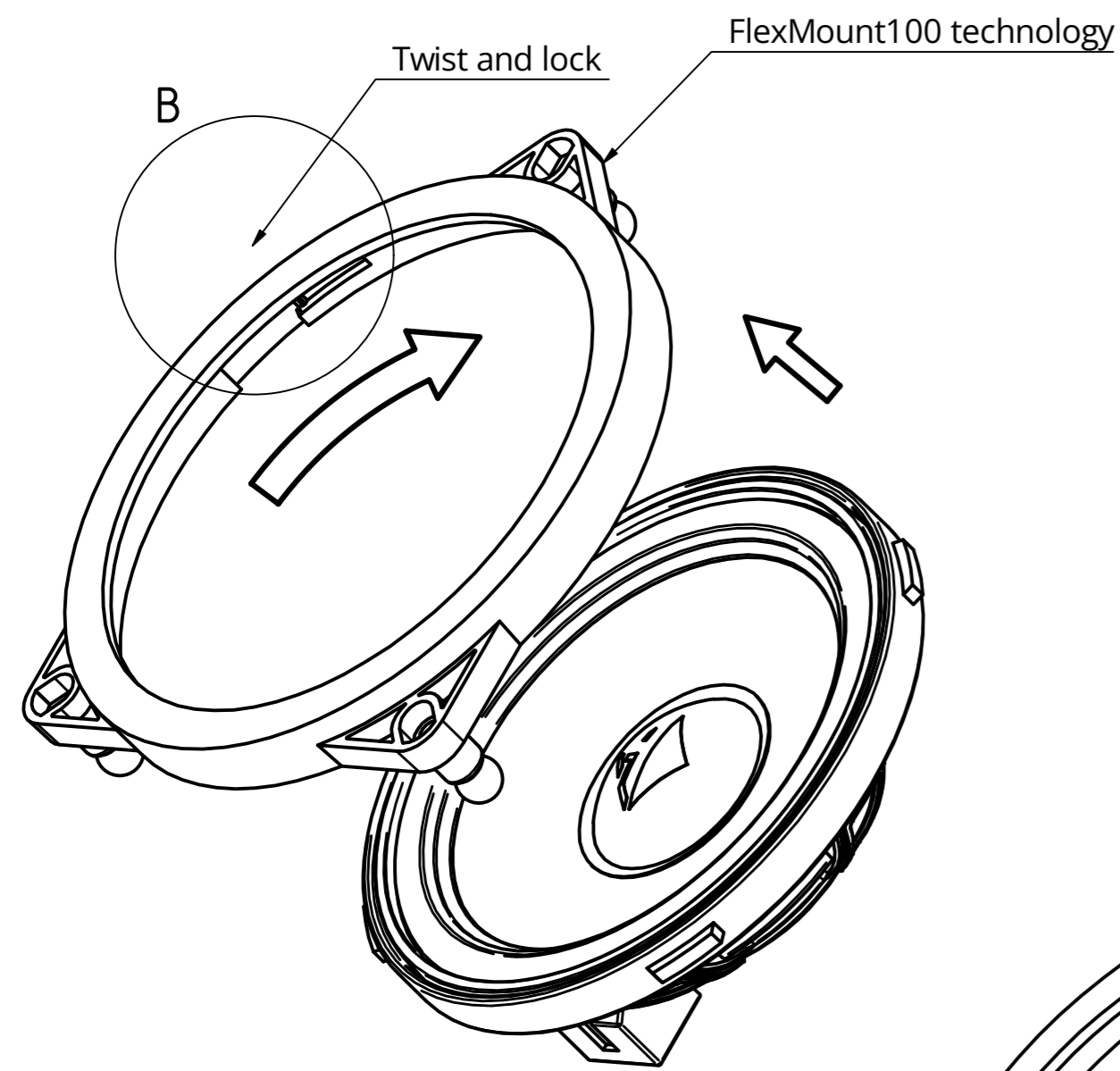
FlexConnect terminal:

- Secure connection
- Reverse polarity protected
- Car-specific WireKits available
- Professional installation process
- Inlay for car factory harness

Extremely shallow design allows fitment in the most difficult cars

High efficiency: 91dB @ 2.83V/1m

Made in Germany



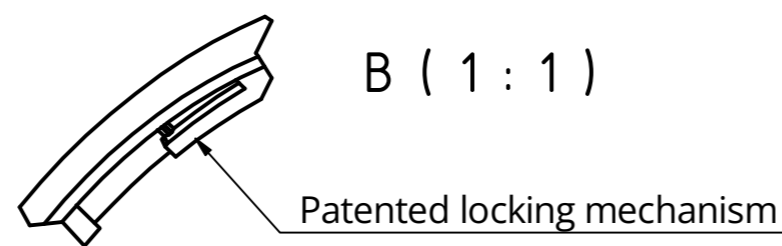
Polymer composite basket reinforced with glass beads

25mm voice coil with 50µm aluminum carrier and Cu wire

3 Ohms for high performance

Push-Pull neodymium magnet

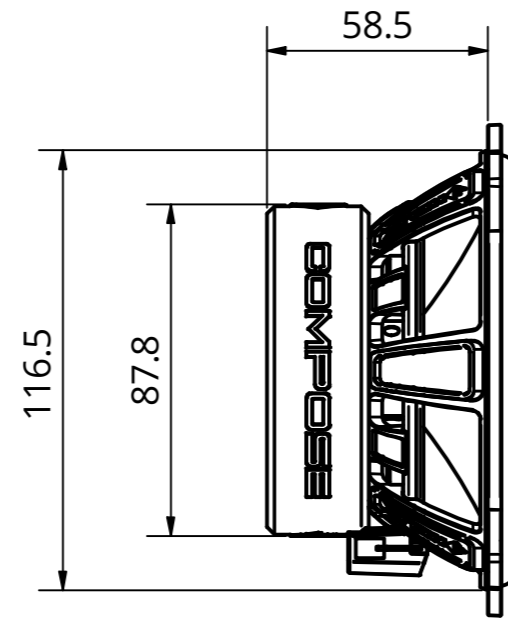
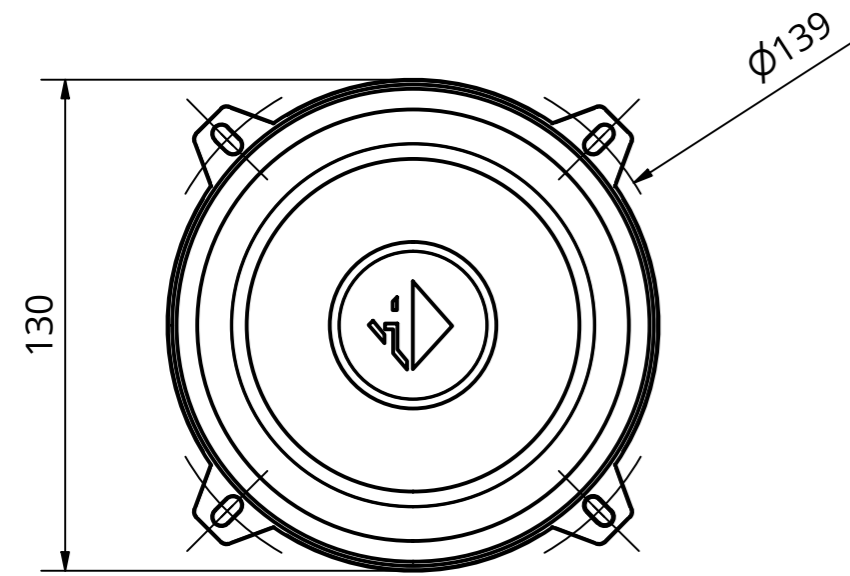
B (1 : 1)



P (W)	100 / 150
Z (Ω)	3
Re (Ω)	3.0
frequency response (Hz)	110 - 7,000
Fs (Hz)	85
Qms	4.58
Qes	0.52
Qts	0.47
Cms (µm/N)	590
Vas (L)	2.5
B*1 (Tm)	4.3
SPL (dB 2.83V/1m)	91
SPL (dB 1W/1m)	87
Sd (cm ²)	55
Mms (gr)	5.9
Rms (Kg/s)	0.69
voice coil ø (mm)	25
voice coil winding height (mm)	5.5
Xmax (mm)	+/- 1.3
outer ø (mm)	98
installation ø (mm)	89
installation depth (mm)	27

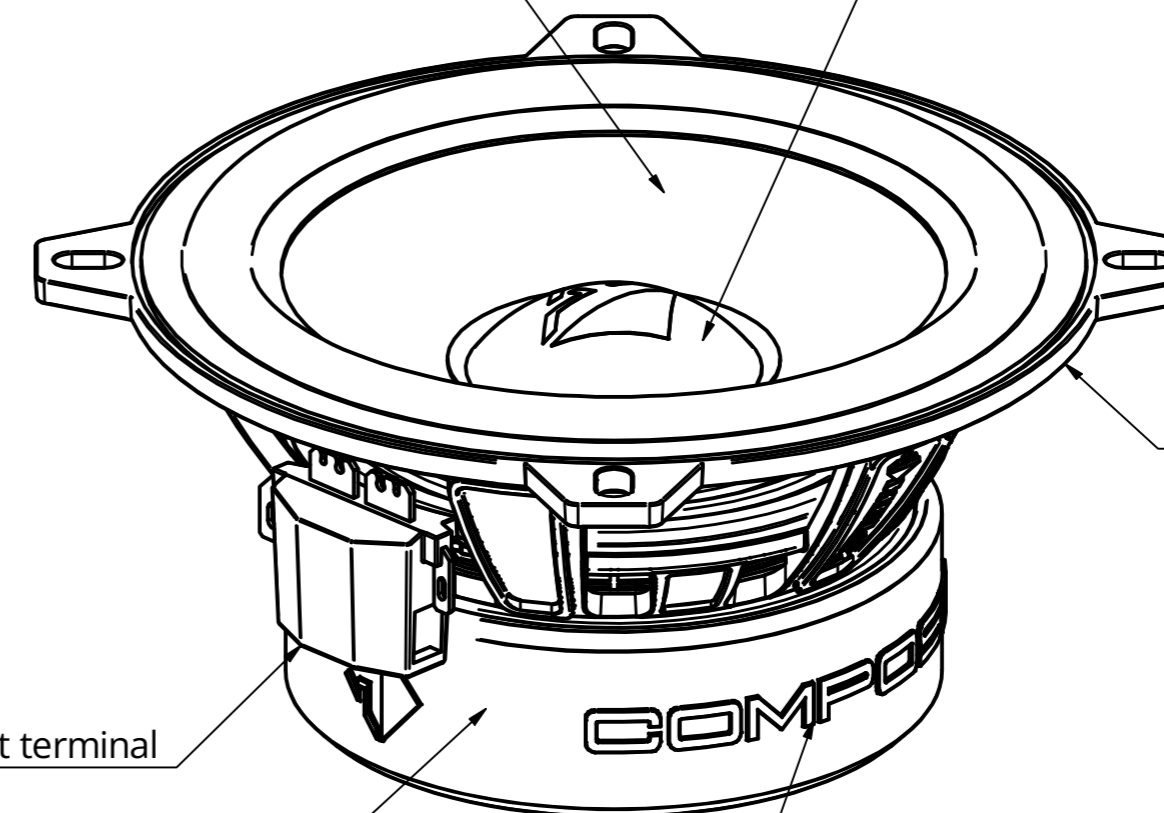
engineered for best sound reproduction

Status	Changes	Date	Name	DIN ISO 2768-mk	1:2	0.136 kg
				Made in Germany		
				Ci7 M100FM-S3		
				Audiotec Fischer GmbH Hünegräben 26 57392 Schmallenberg		
						4 A2



UHD paper cone, air-dried on the backside,
for best damping of the paper diaphragm

Dustcap made of Polyurethan



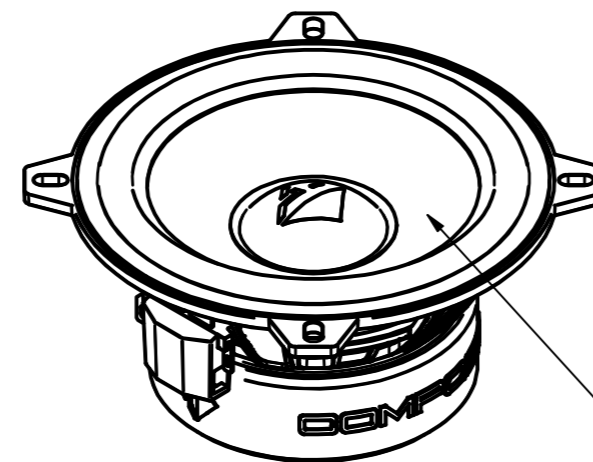
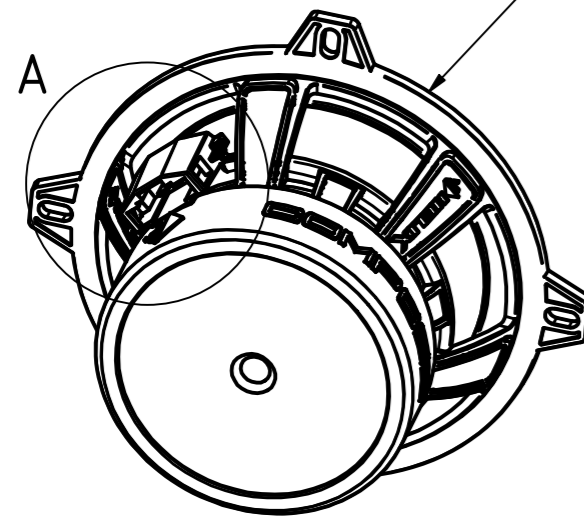
Made in Germany

New ProConnect terminal

3 Ohms for high performance

Voice coil 25mm with 80µm aluminum carrier and Cu wire

Polymer composite basket
reinforced with glass beads

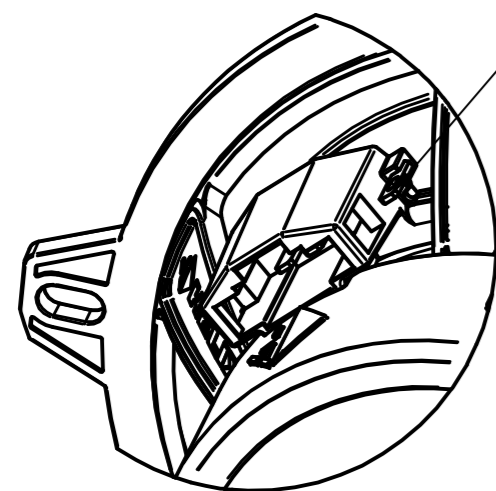


High efficiency: 92 dB @ 2.83V/1m

P (W)	120 / 180
Z (Ω)	3
Re (Ω)	2.9
frequency response (Hz)	70 - 4,000
Fs (Hz)	73
Qms	2.38
Qes	0.5
Qts	0.41
Cms (µm/N)	420
Vas (L)	4.3
B*I (Tm)	5.5
SPL (dB 2.83V/1m)	92
SPL (dB 1W/1m)	88
Sd (cm ²)	85
Mms (gr)	11.1
Rms (Kg/s)	2.15
voice coil ø (mm)	25
voice coil winding height (mm)	12.8
Xmax (mm)	+/- 3.4
outer ø (mm)	130
installation ø (mm)	116.5
installation depth (mm)	58.5

A (1:1)

Conventional blade terminals



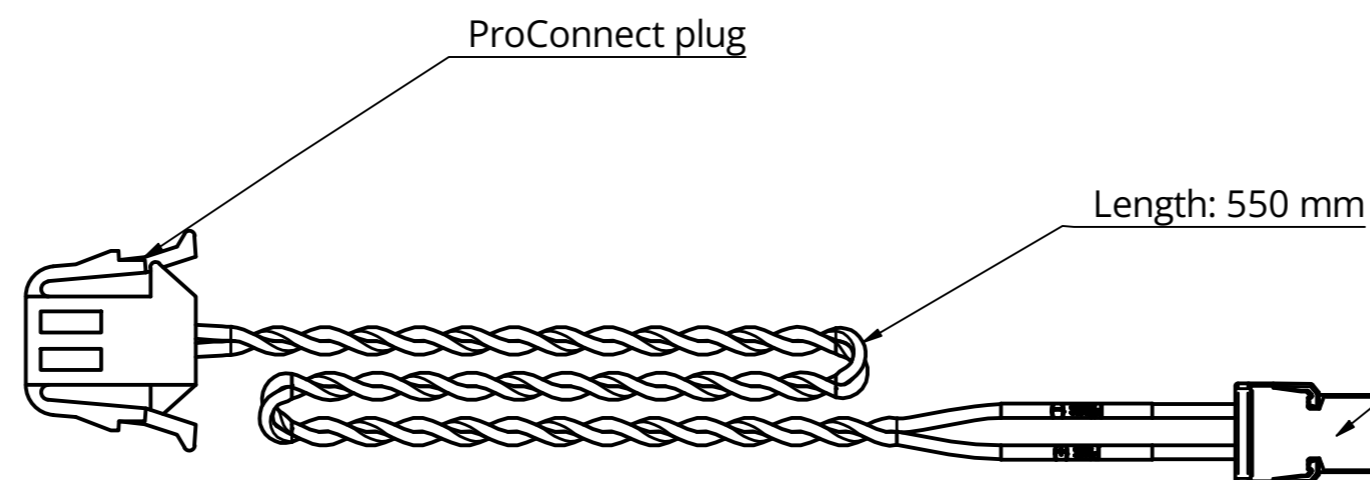
ProConnect terminal:

- Secure connection
- Reverse polarity protected
- Car-specific WireKits available
- Professional installation process

ProConnect plug

Length: 550 mm

Compose Connect plug



CWK FX.W-550CC

ProConnect to Compose Connect female

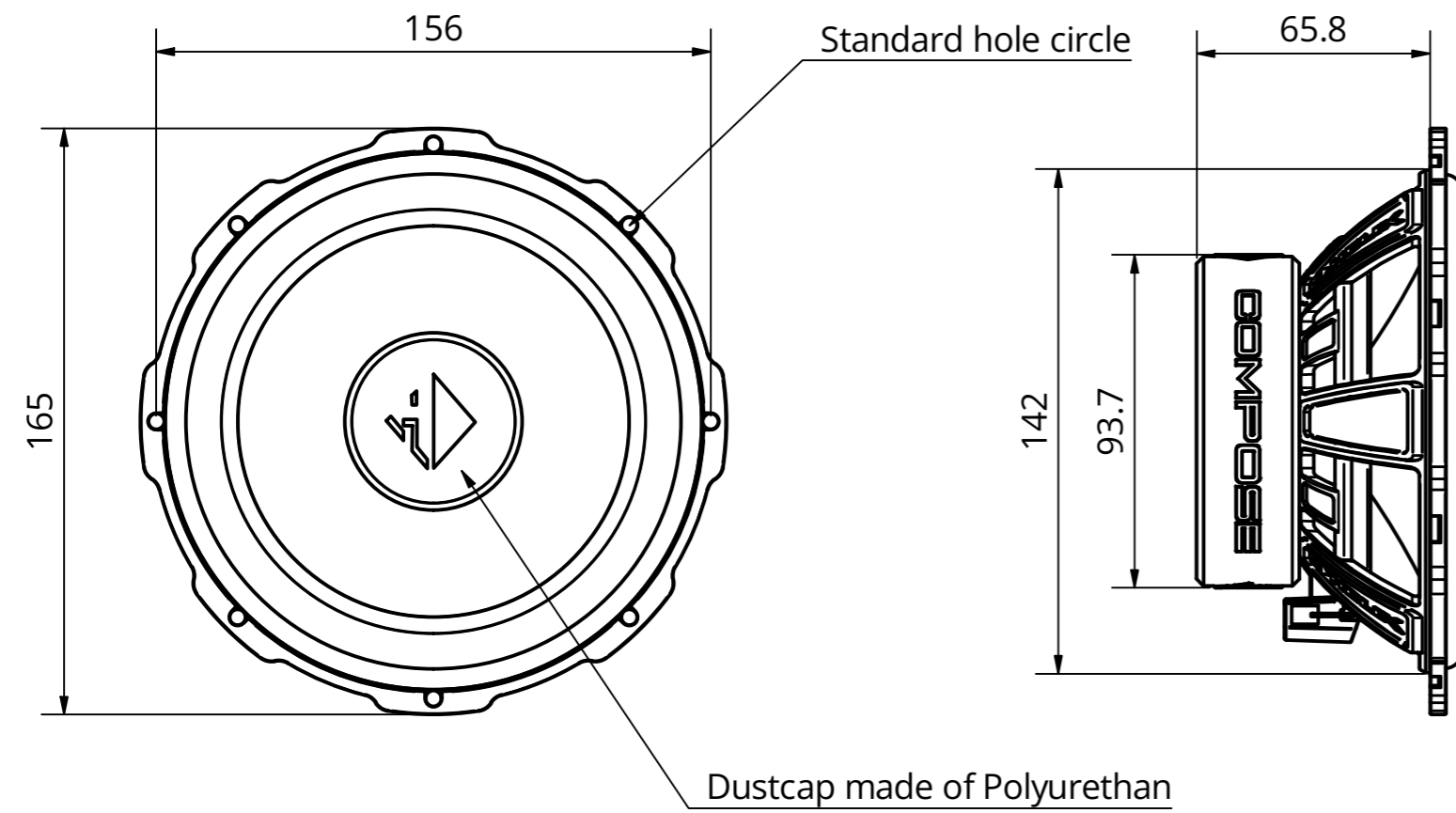
engineered for best sound reproduction

Status	Changes	Date	Name	DIN ISO	1:2	0.916 kg
				2768-mk	Made in Germany	
				Ci7 W130-S3		
				Audiotec Fischer GmbH Hünegräben 26 57392 Schmallenberg		
						5 A2

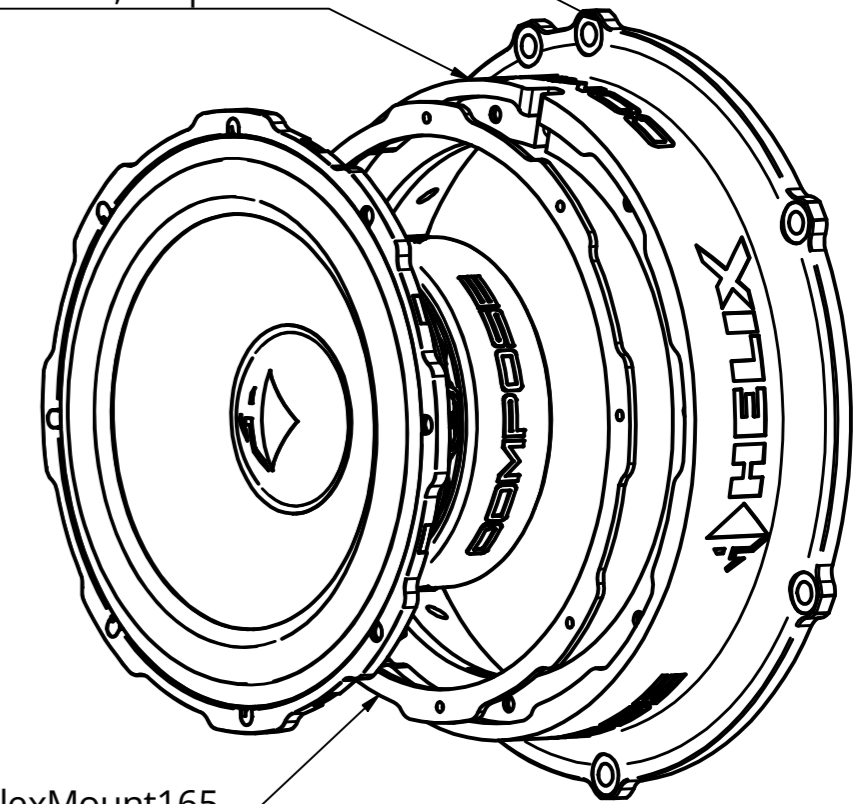
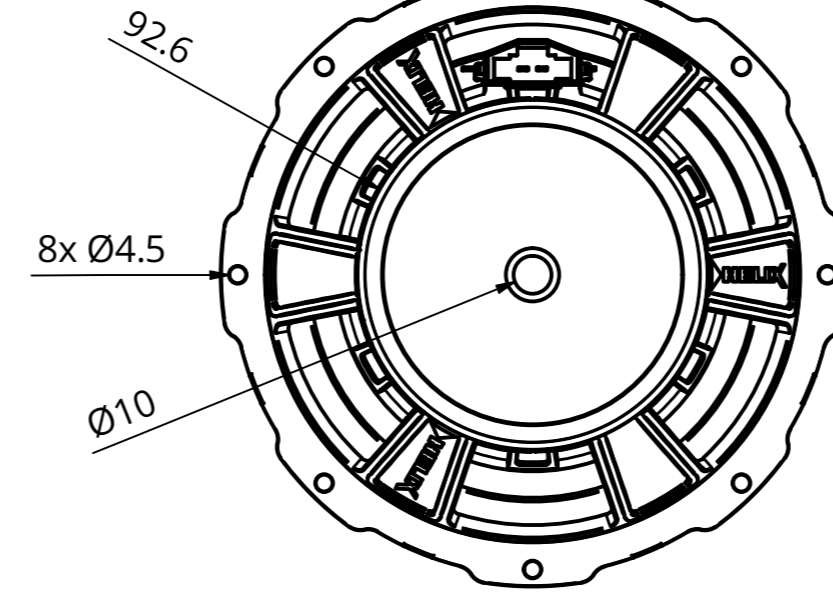
Car-specific adaptor rings available

Stiff, temperature stable, 3D printed

Gasket included with FlexMount165



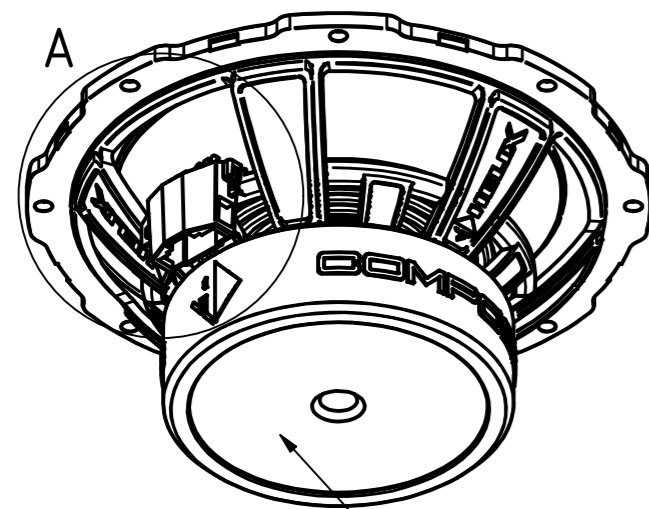
Polymer composite basket reinforced with glass beads



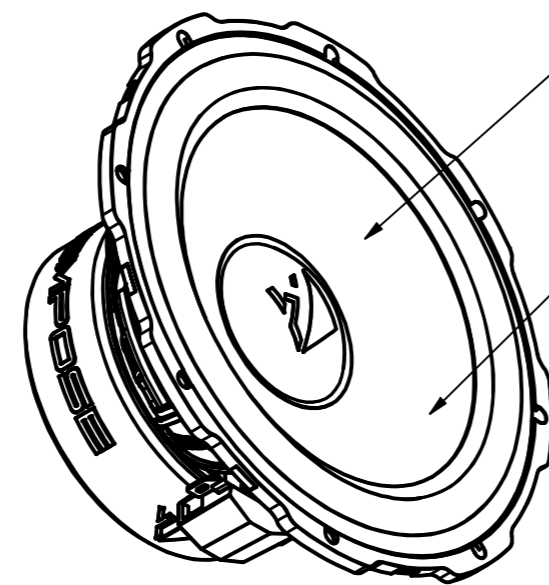
High efficiency: 92 dB @ 2.83V/1m

UHD paper cone, air-dried on the backside, for best damping of the paper diaphragm

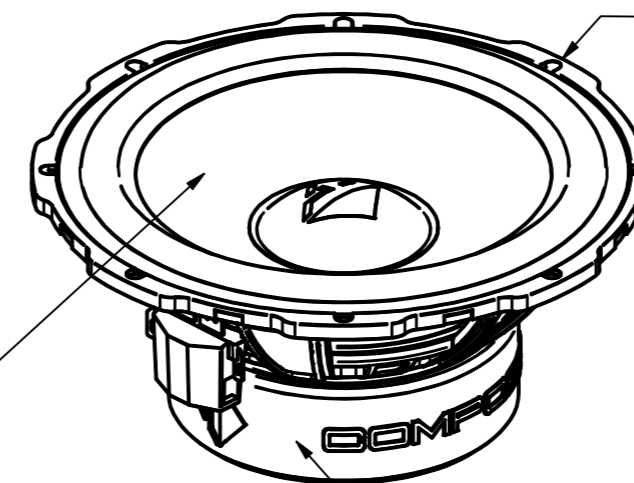
Made in Germany



3 Ohms for high performance



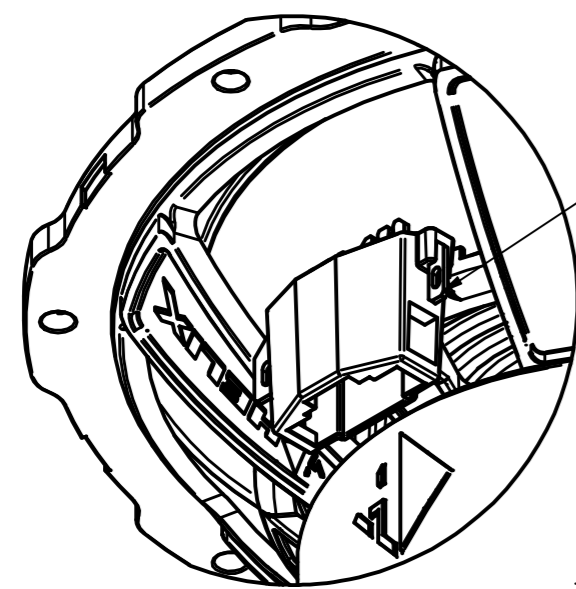
Engineered for best sound quality



37 mm voice coil with 80µm aluminum carrier and CCAW wire

P (W)	150 / 225
Z (Ω)	3
Re (Ω)	2.9
frequency response (Hz)	50 - 3,500
Fs (Hz)	60
Qms	3.00
Qes	0.68
Qts	0.55
Cms (µm/N)	480
Vas (L)	11.6
B*I (Tm)	4.8
SPL (dB 2.83V/1m)	92
SPL (dB 1W/1m)	88
Sd (cm ²)	131
Mms (gr)	14.8
Rms (Kg/s)	1.83
voice coil ø (mm)	37
voice coil winding height (mm)	13.4
Xmax (mm)	+/- 3.7
outer ø (mm)	165
installation ø (mm)	142
installation depth (mm)	65.8

A (1 : 1)



Conventional blade terminals

ProConnect plug

Length: 550 mm



Compose Connect plug

ProConnect terminal:

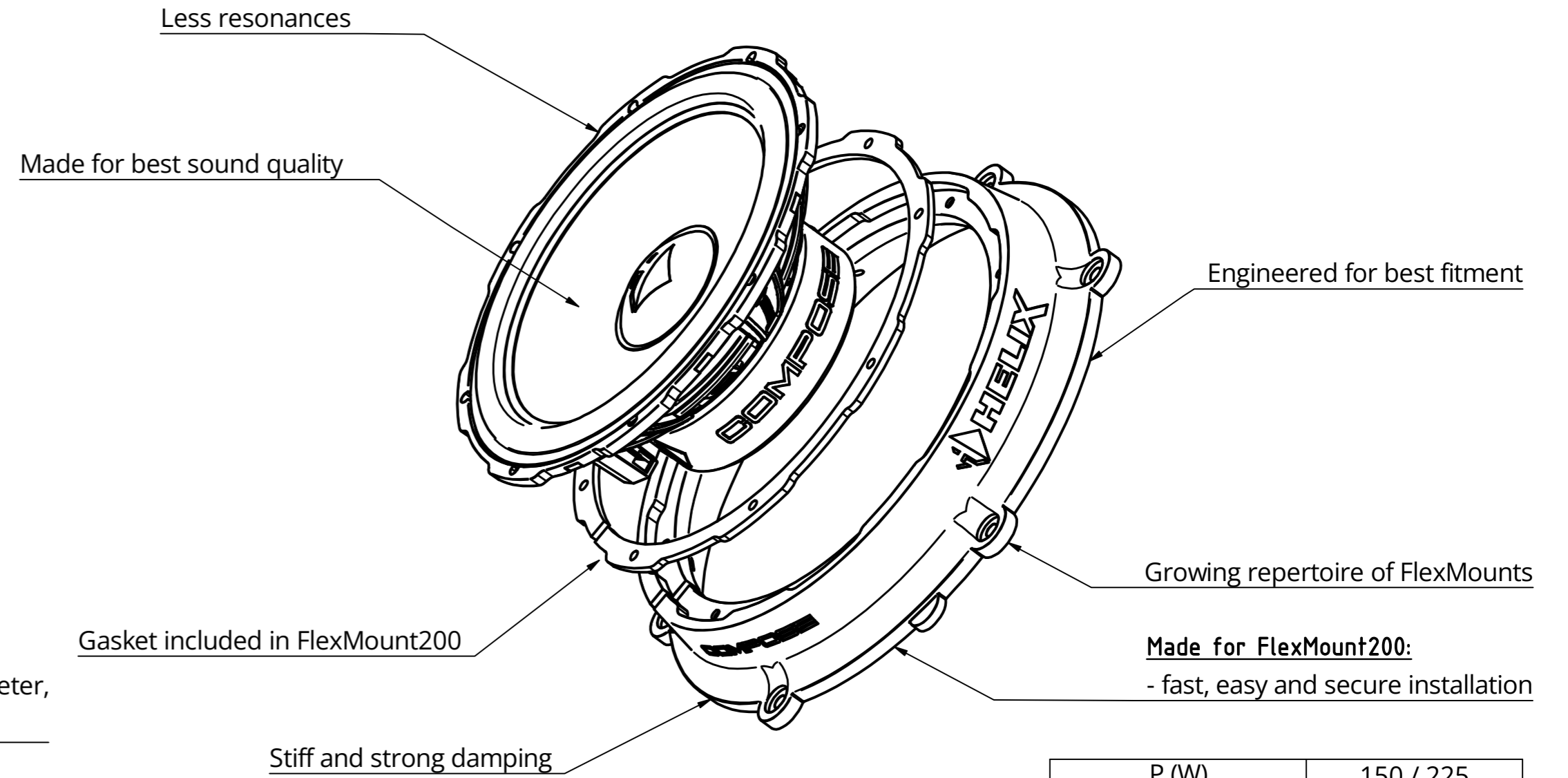
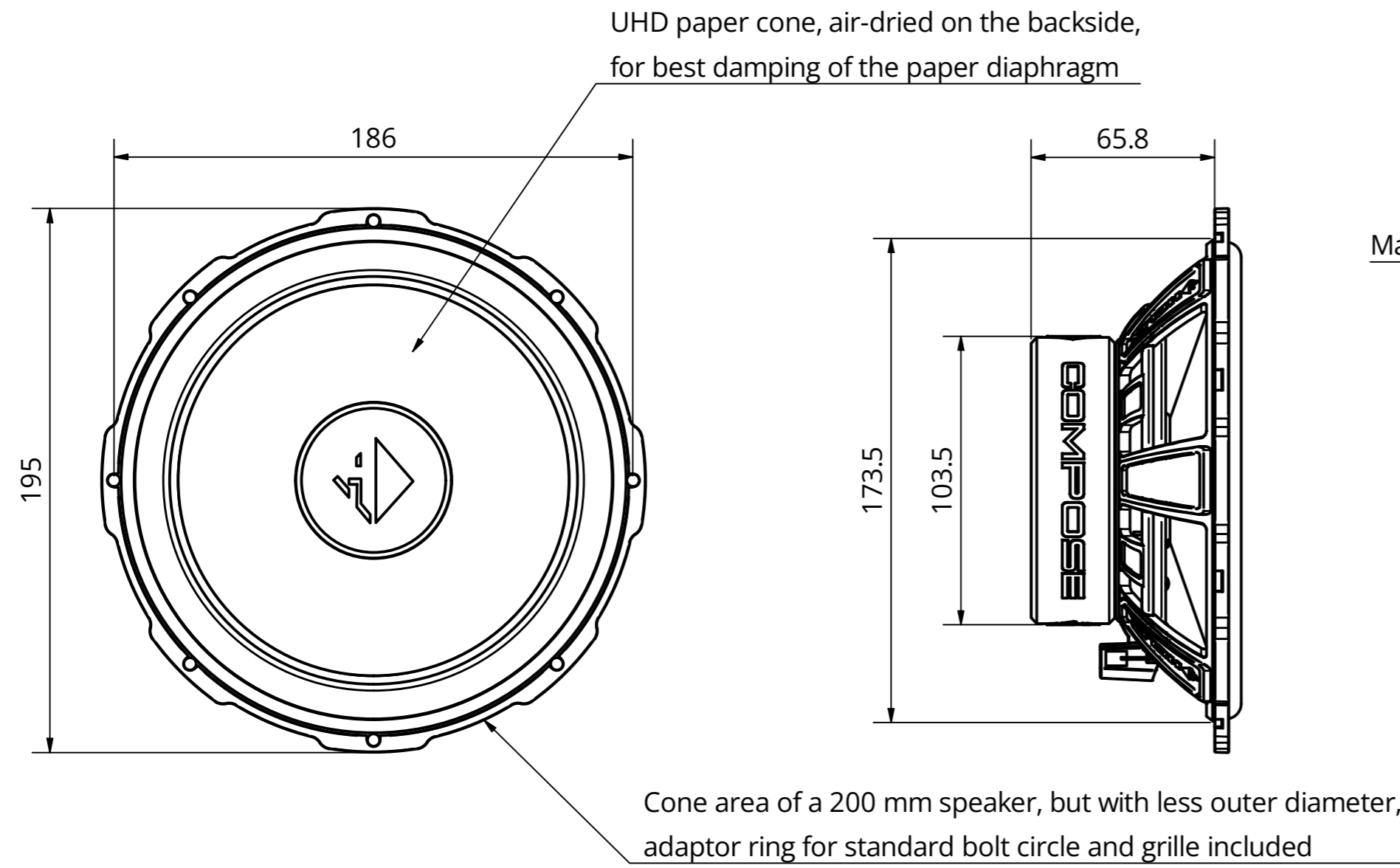
- Secure connection
- Reverse polarity protected
- Car-specific WireKits available
- Accelerates the installation process

CWK FX.M-550CC

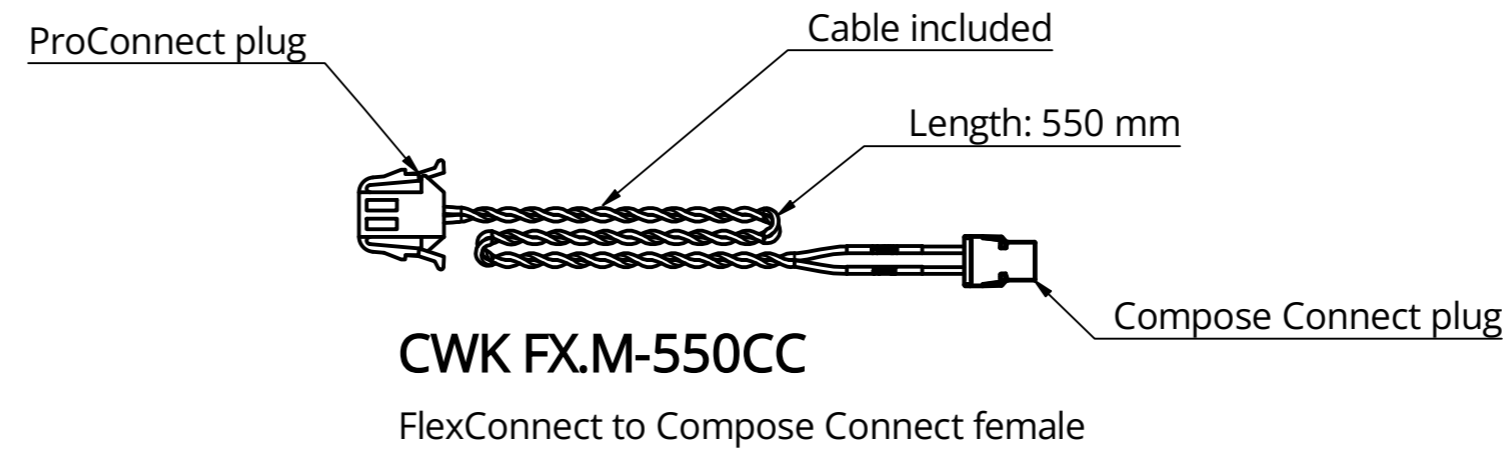
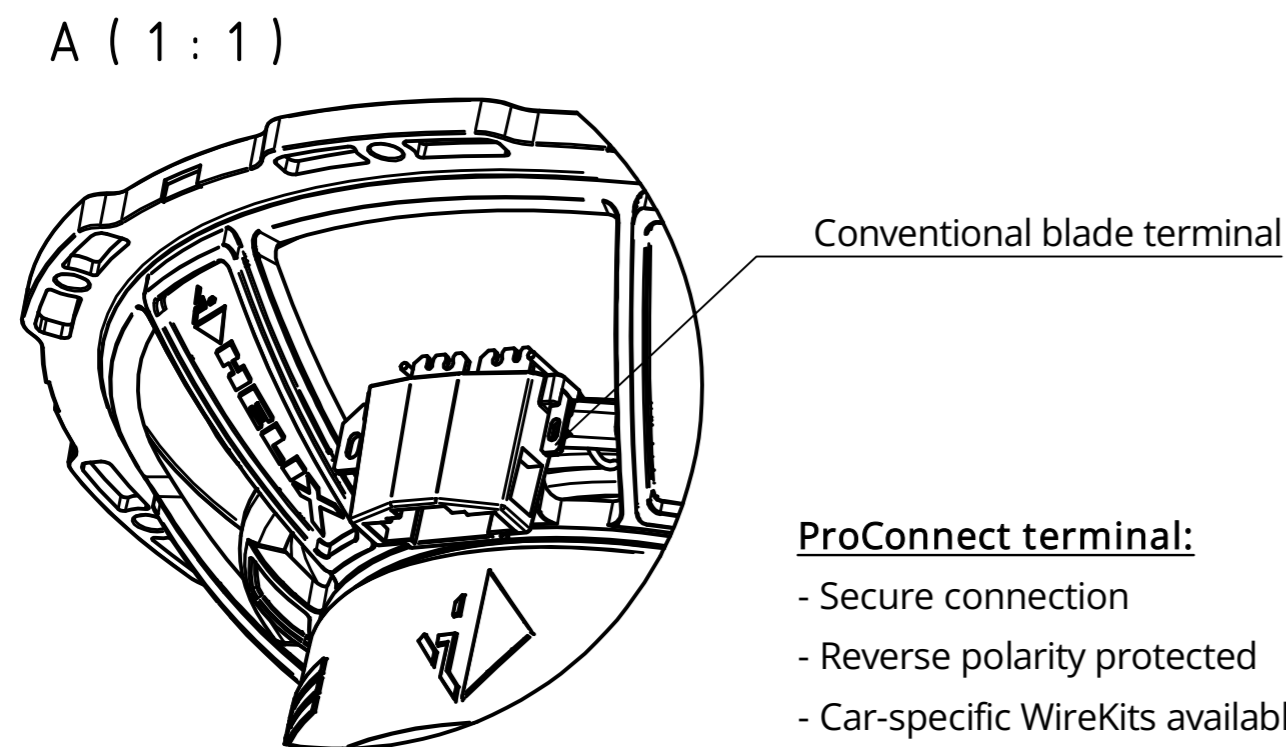
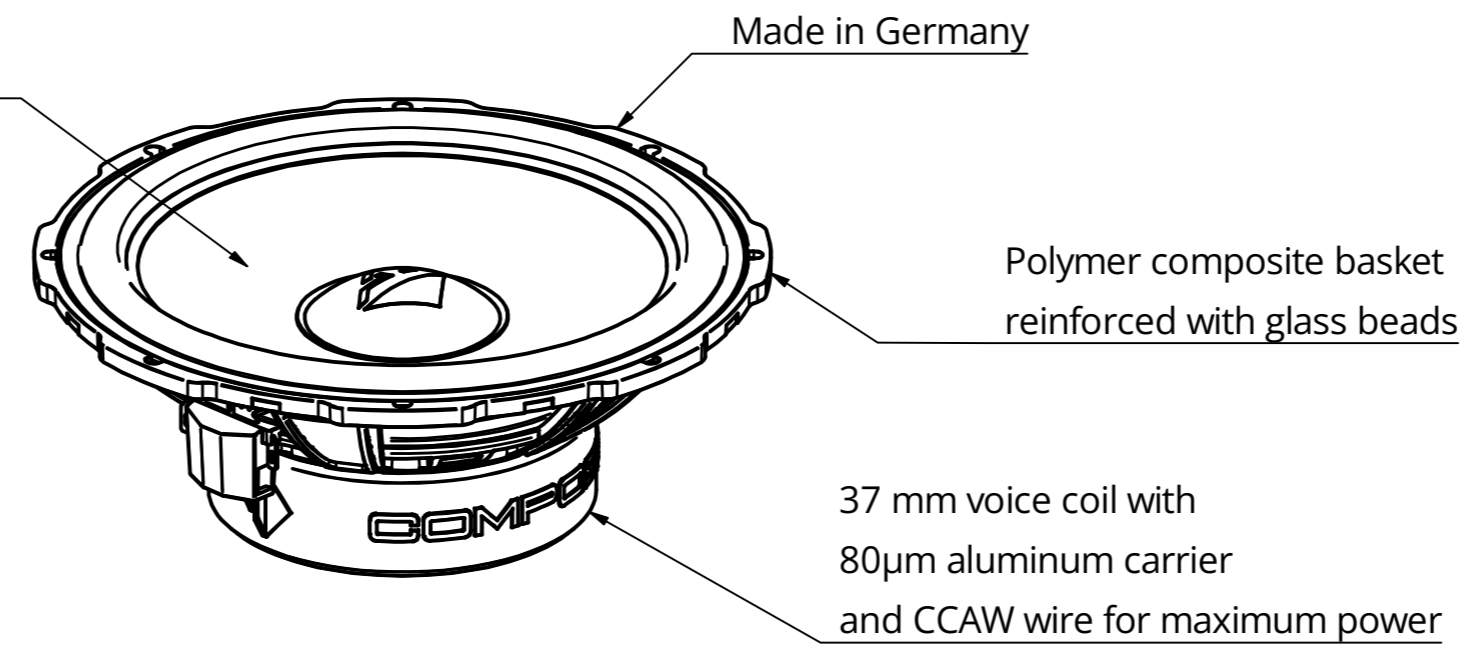
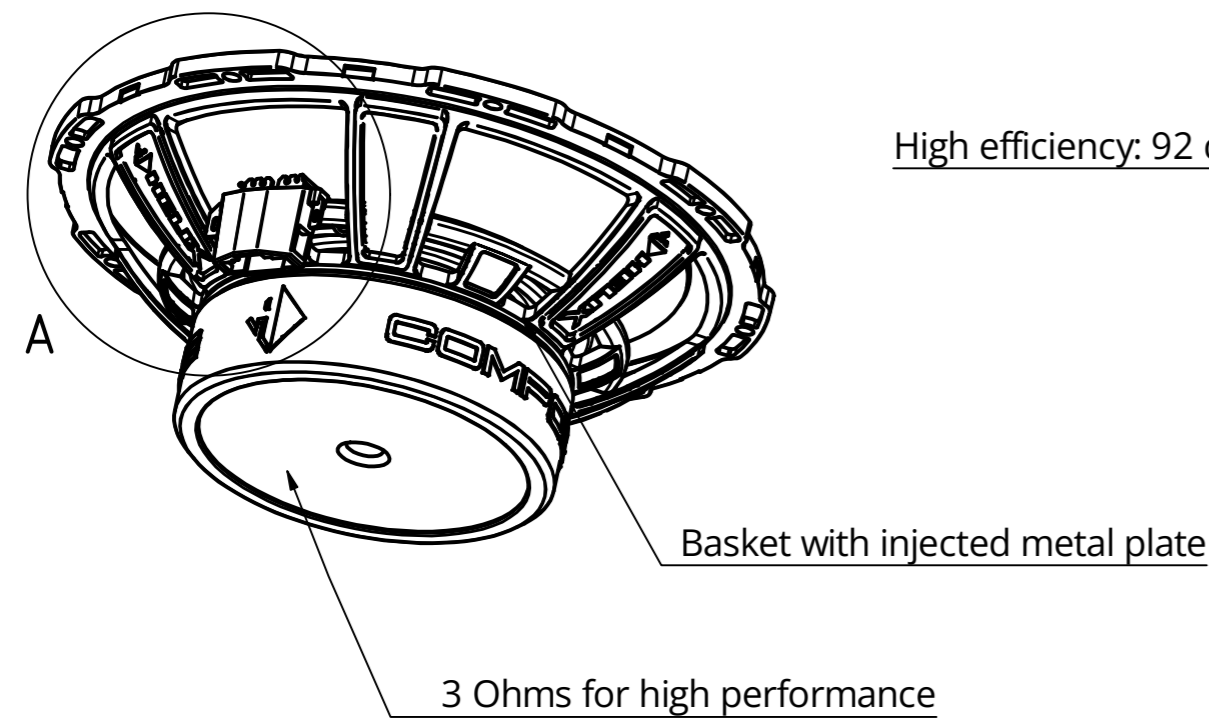
FlexConnect to Compose Connect female

engineered for best sound reproduction

		DIN ISO 2768-mk	1:2	1.12 kg
		Made in Germany		
		Ci7 W165FM-S3		
		Audiotec Fischer GmbH Hünegräben 26 57392 Schmallenberg		6 A2
Status	Changes	Date	Name	



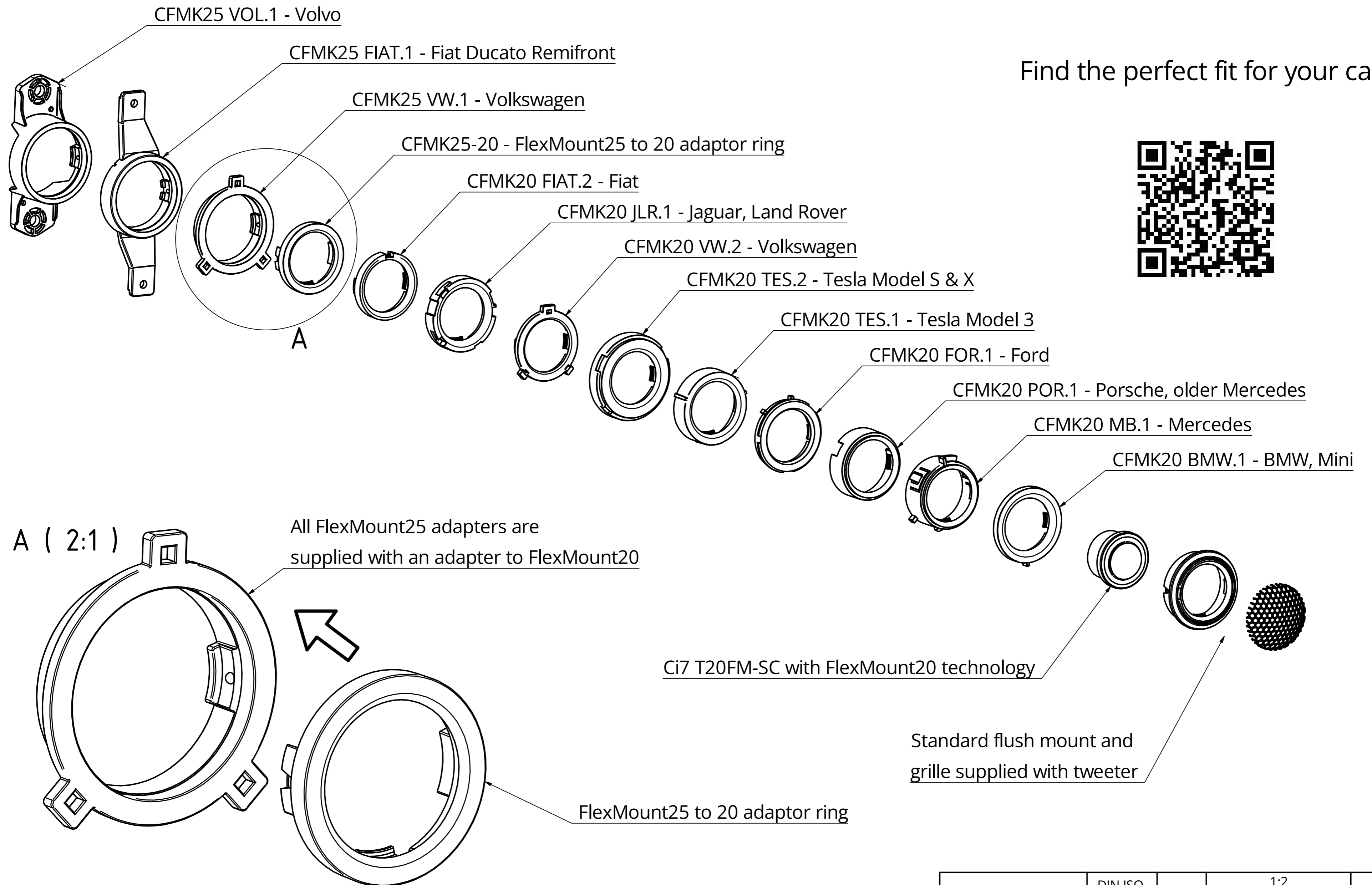
P (W)	150 / 225
Z (Ω)	3
Re (Ω)	3.0
frequency response (Hz)	35 - 2,500
Fs (Hz)	52
Qms	6.04
Qes	0.78
Qts	0.69
Cms (μm/N)	370
Vas (L)	20.8
B*I (Tm)	5.6
SPL (dB 2,83V/1m)	92
SPL (dB 1W/1m)	88
Sd (cm ²)	201
Mms (gr)	25.6
Rms (Kg/s)	1.40
voice coil ø (mm)	37
Voice coil winding height (mm)	13.8
Xmax (+-mm)	+/- 3.9
outer ø (mm)	195
installation ø (mm)	173.5
installation depth (mm)	65.8



engineered for best sound reproduction

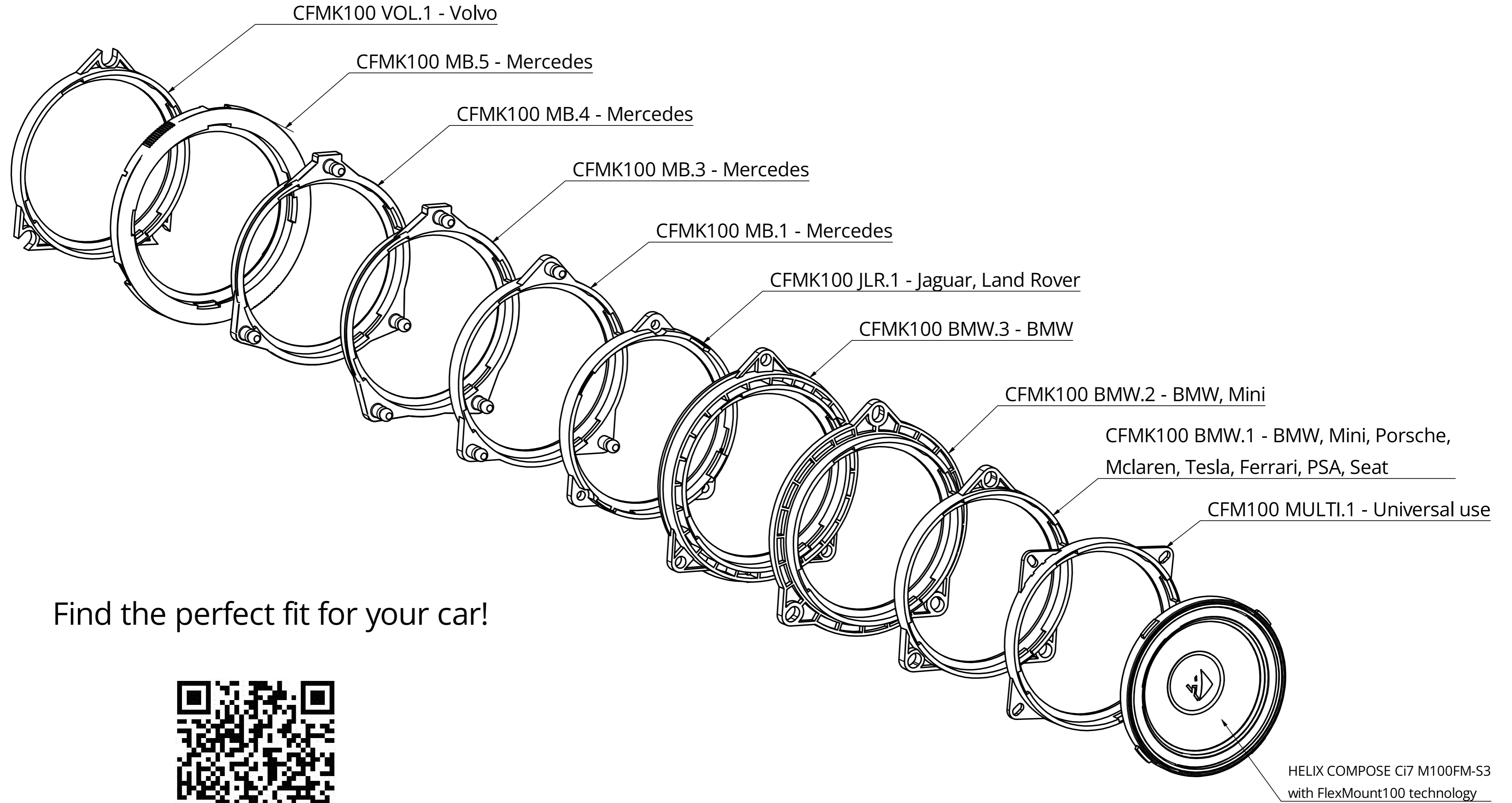
DIN ISO 2768-mk		1:2	1.5 kg
Made in Germany			
Ci7 W200FM-S3			
Audiotec Fischer GmbH Hünegräben 26 57392 Schmallenberg			7 A2
Status	Changes	Date	Name

Find the perfect fit for your car!



engineered for best sound reproduction

		DIN ISO 2768-mk	1:2
		Made in Germany	
		FlexMount20-25	
		Audiotec Fischer GmbH Hünegräben 26 57392 Schmallenberg	8 A2
Status	Changes	Date	Name



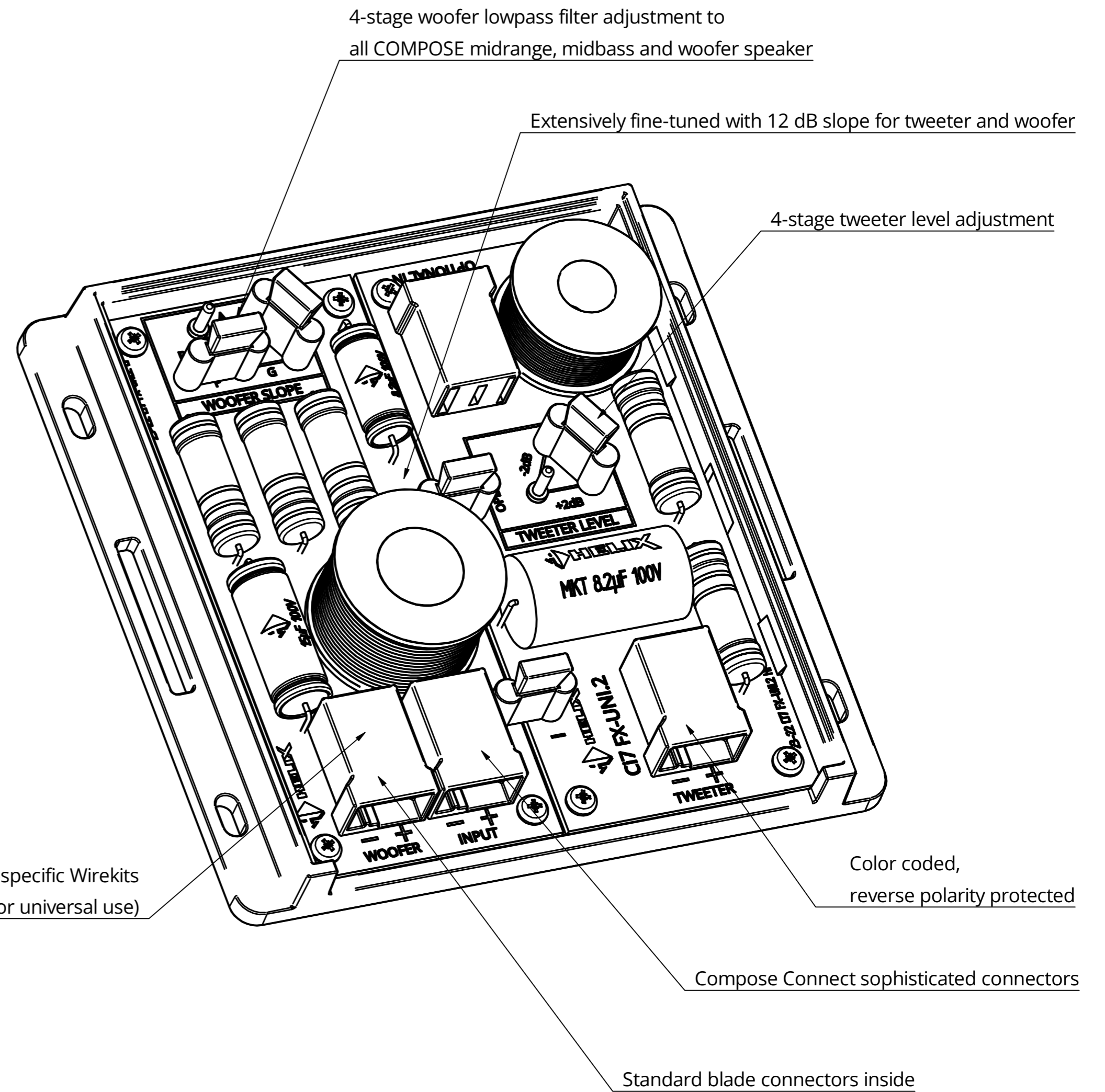
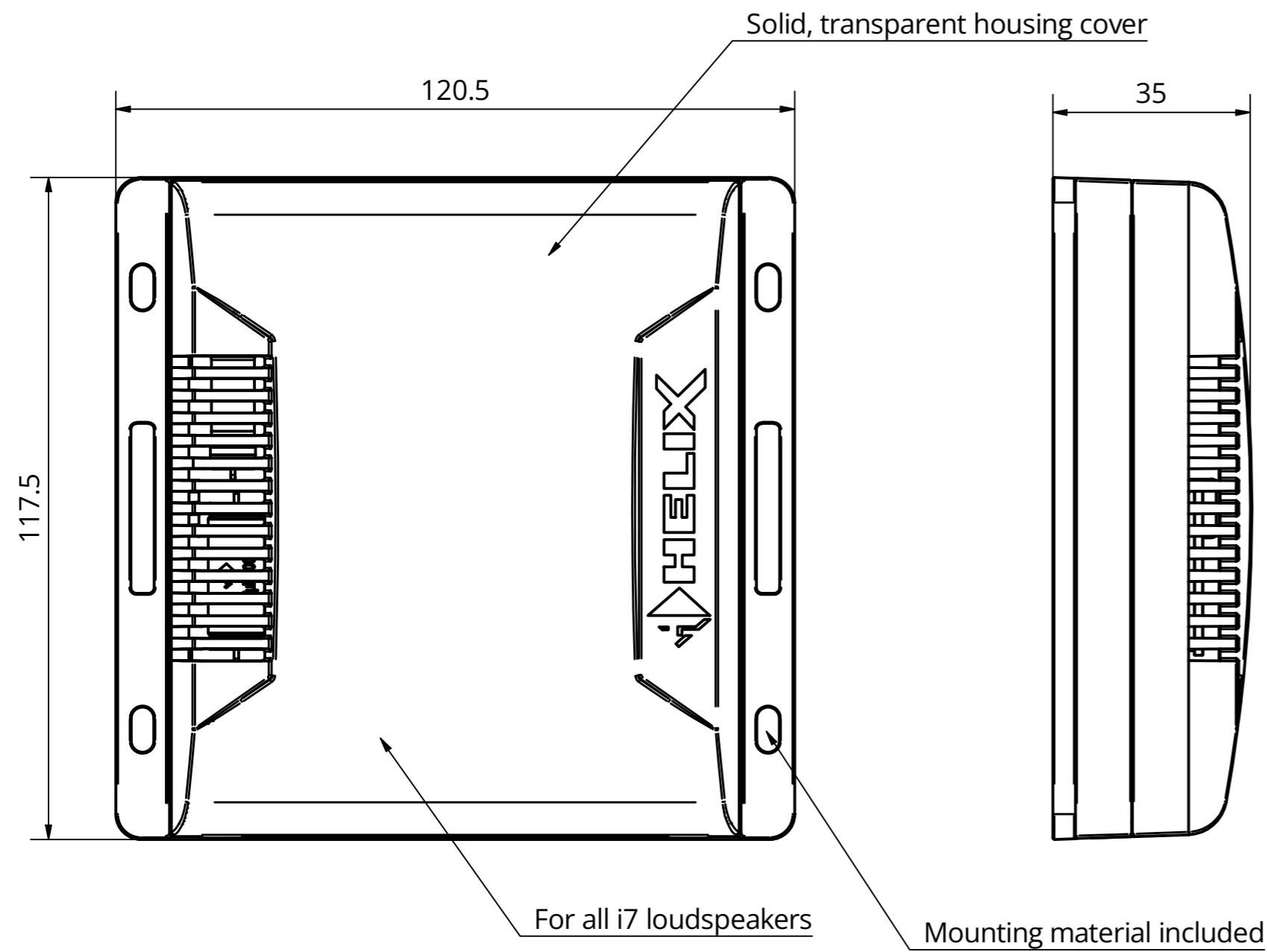
Find the perfect fit for your car!



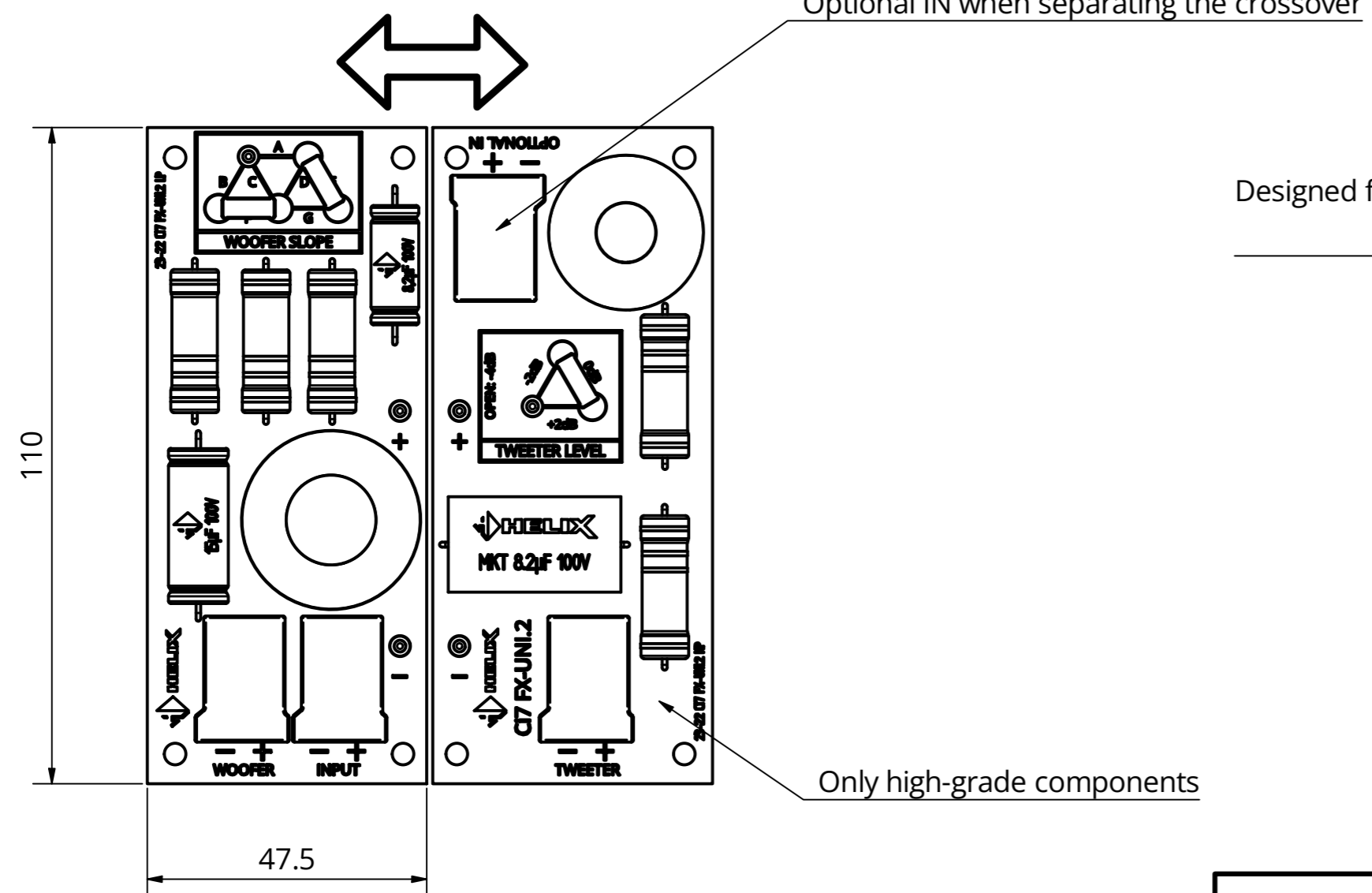
engineered for best sound reproduction

	DIN ISO 2768-mk	1:2
		Made in Germany
		FlexMount100
	Audiotec Fischer GmbH Hünegräben 26 57392 Schmallenberg	9 A2
Status	Changes	Date

COMPOSE



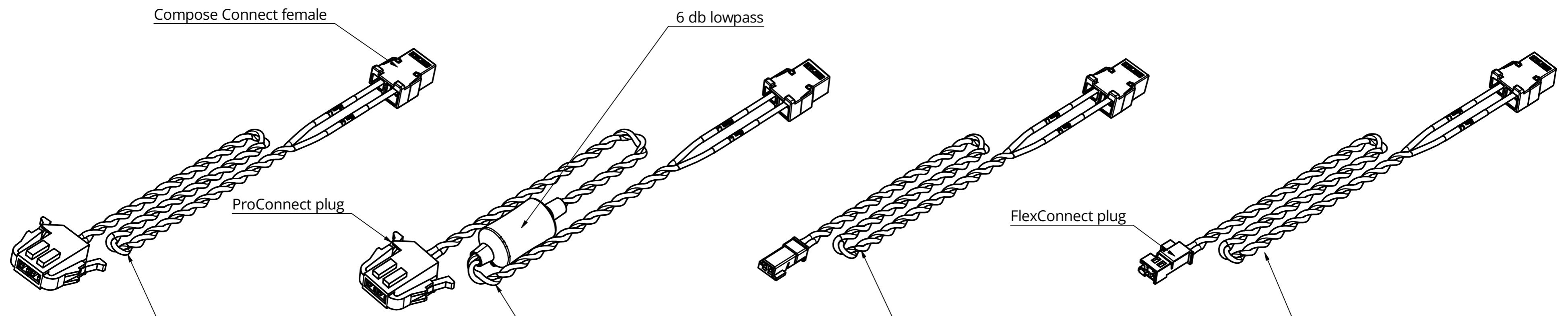
Flex-Crossover: separable for installation in different locations
shrink tubing included



engineered for best sound reproduction

		DIN ISO 2768-mk	1:2	
		Made in Germany		
		Ci7 FX-UNI.2		
		Audiotec Fischer GmbH Hünegräben 26 57392 Schmallenberg		10 A2
Status	Changes	Date	Name	

COMPOSE

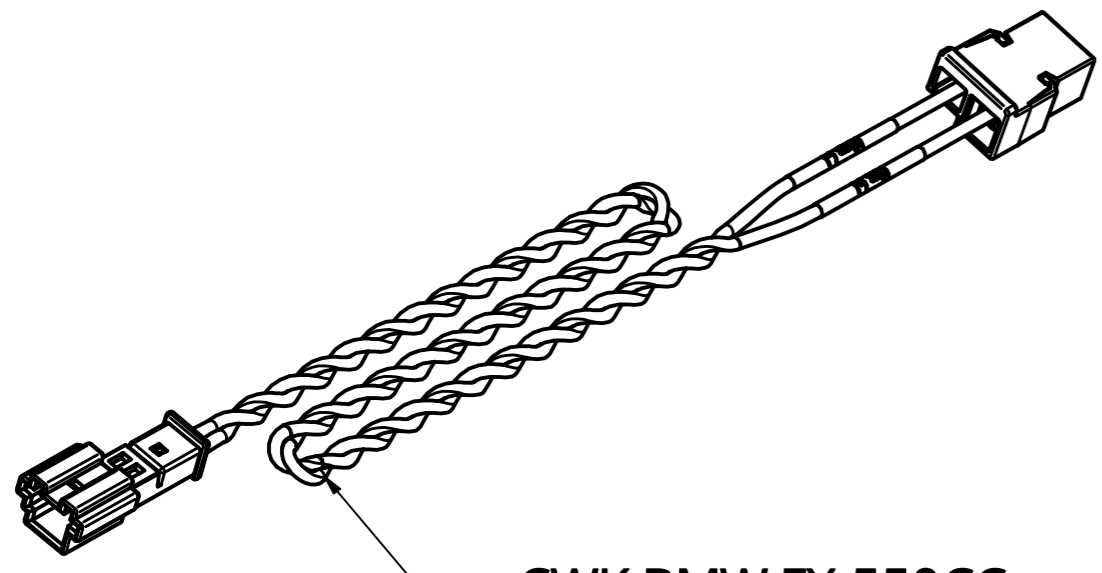


CWK FX.-W-550CC
 Included in i7 130/165/200 speakers
 and i3 200 speaker kit
 for i3 single speakers separately available

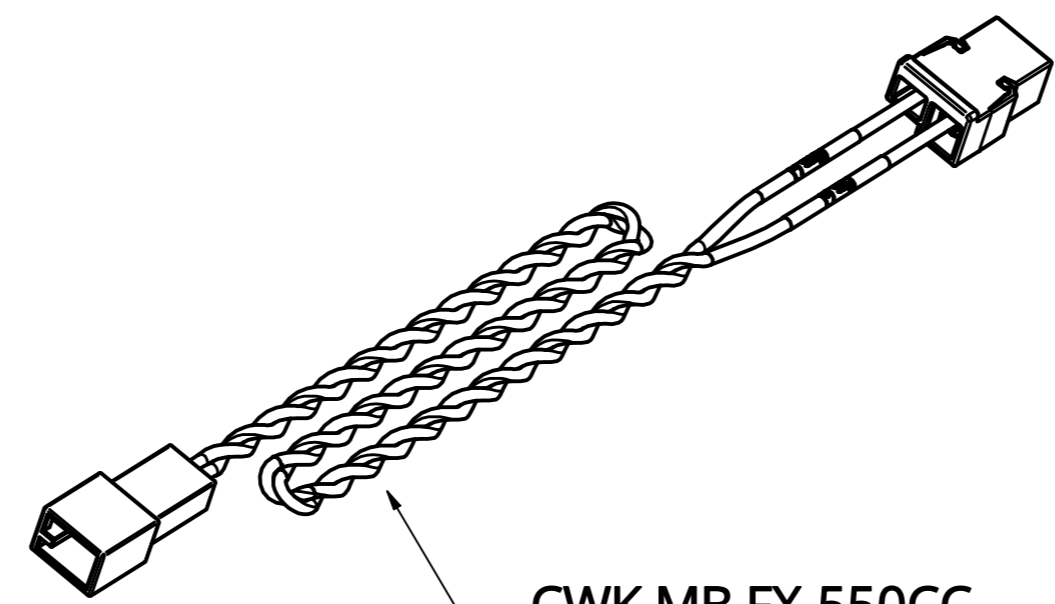
CWK FX.-WLP-550CC
 Included in i3 130/165 speaker kits
 also separately available

CWK FX.T-550CC
 Included in i3/i7 tweeters and speaker kits

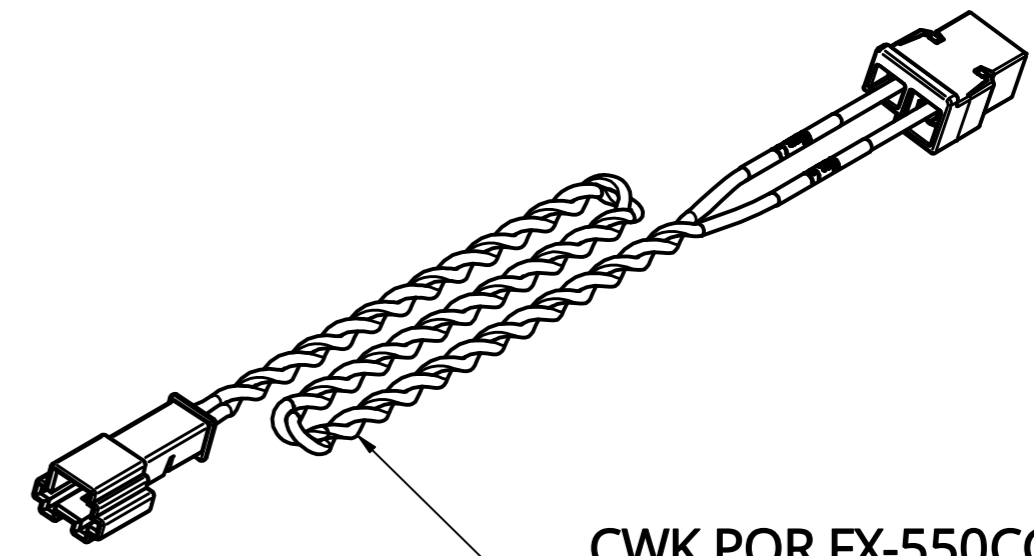
CWK FX.M-550CC
 Included in i3/i7
 midrange 100 speakers and speaker kits



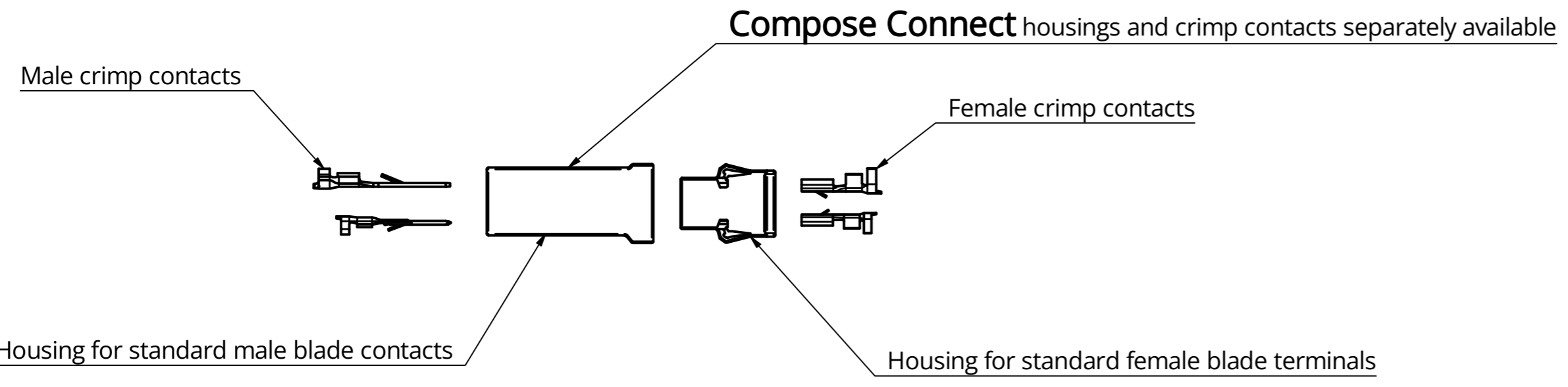
CWK BMW.FX-550CC
 WireKit for BMW



CWK MB.FX-550CC
 WireKit for Mercedes



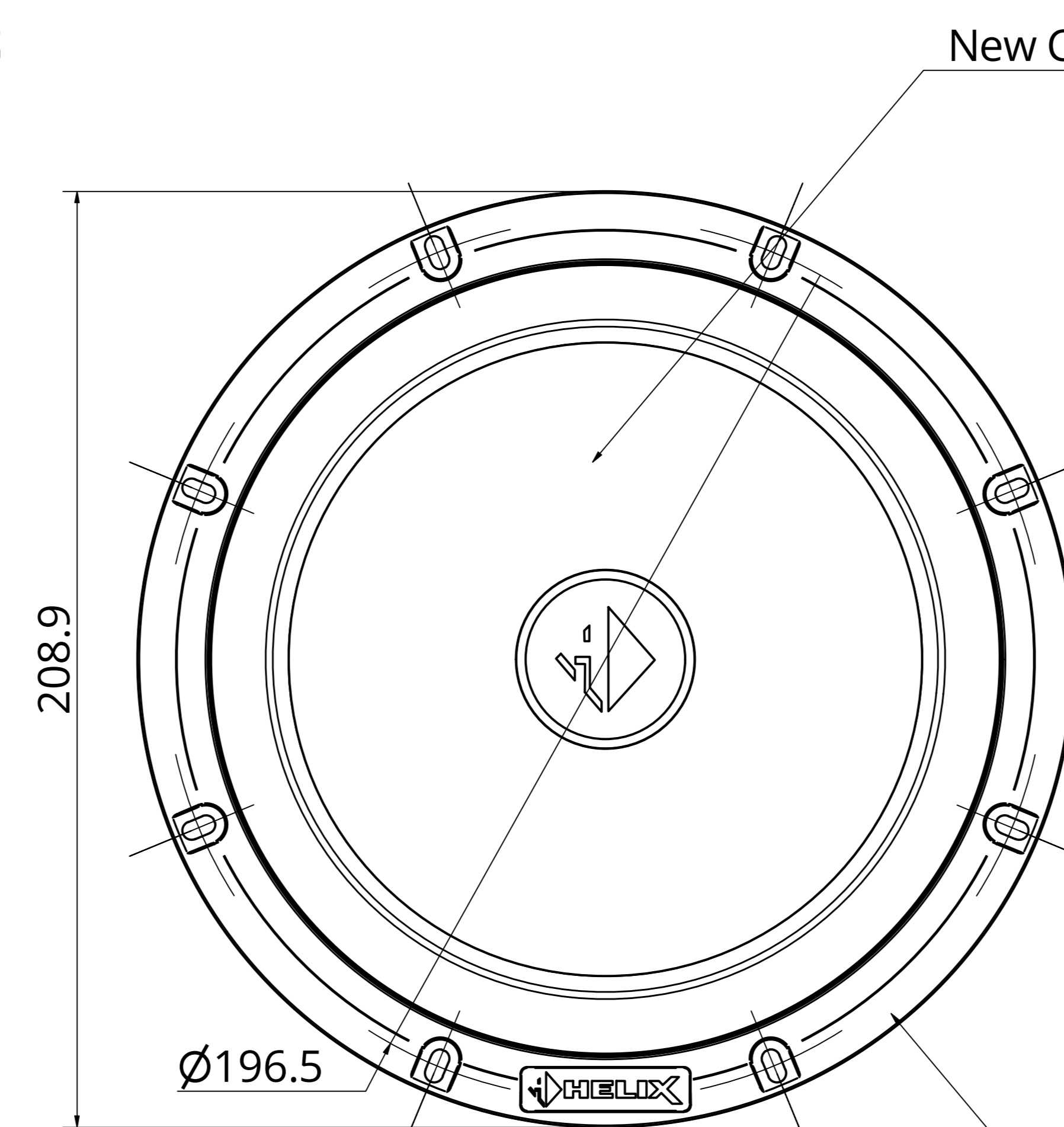
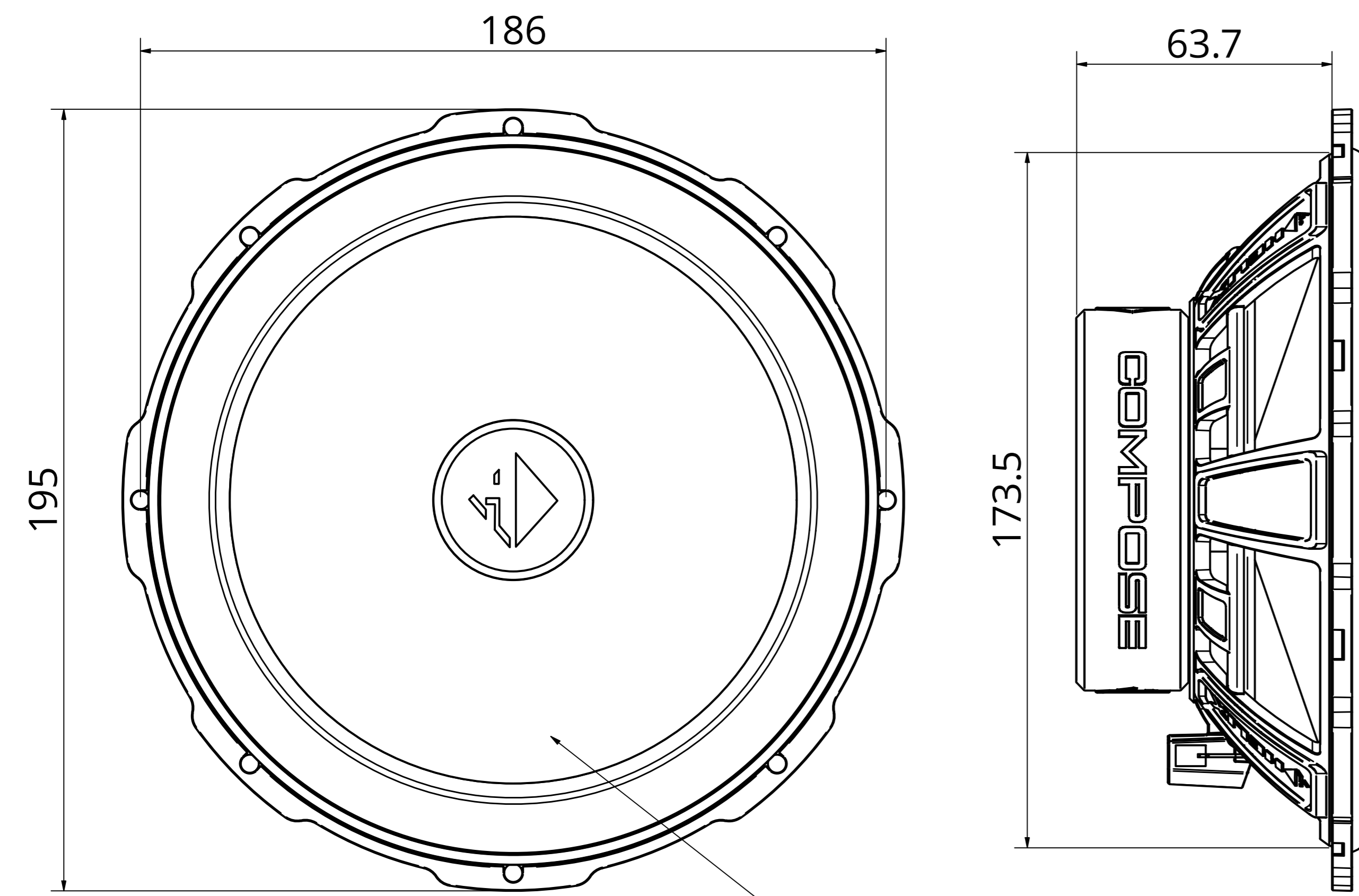
CWK POR.FX-550CC
 WireKit for Porsche



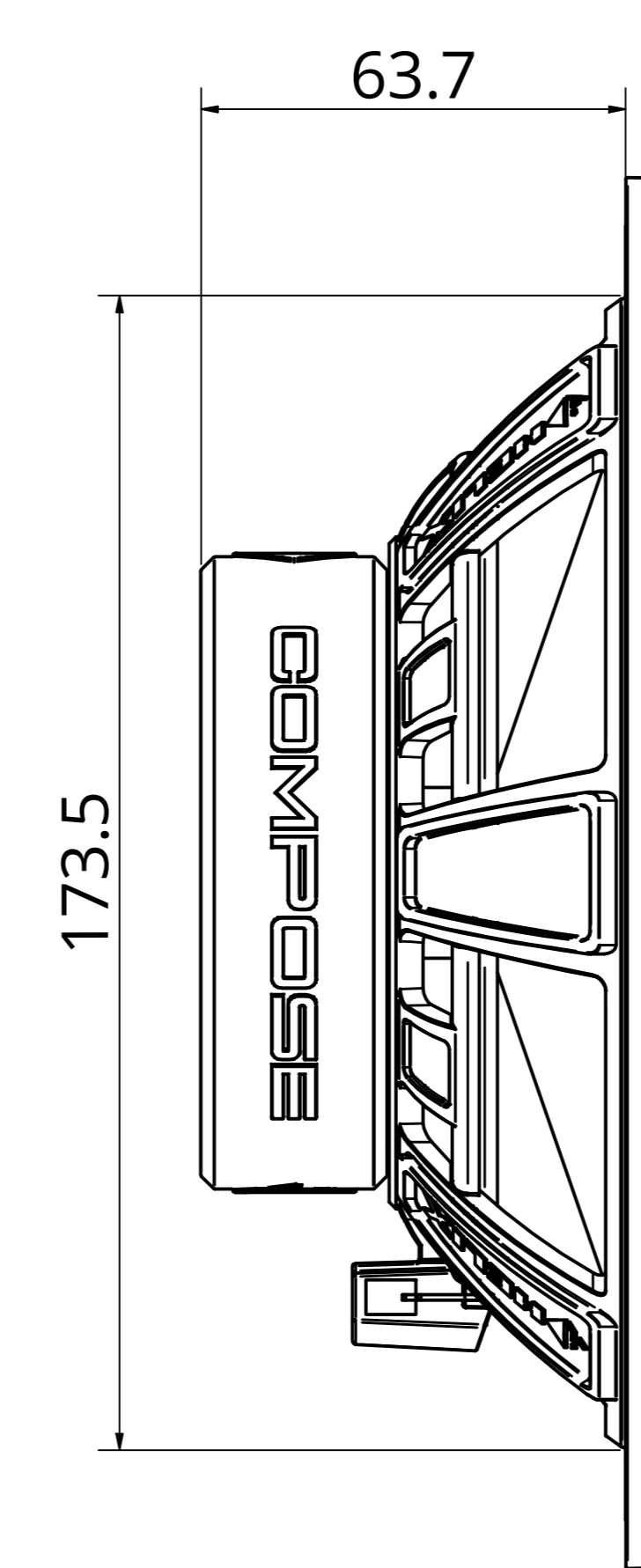
engineered for best sound reproduction

		DIN ISO 2768-mk	1:2	
		Made in Germany		
		Compose Cables		
		Audiotec Fischer GmbH Hünegräben 26 57392 Schmallenberg		11 A2
Status	Changes	Date	Name	

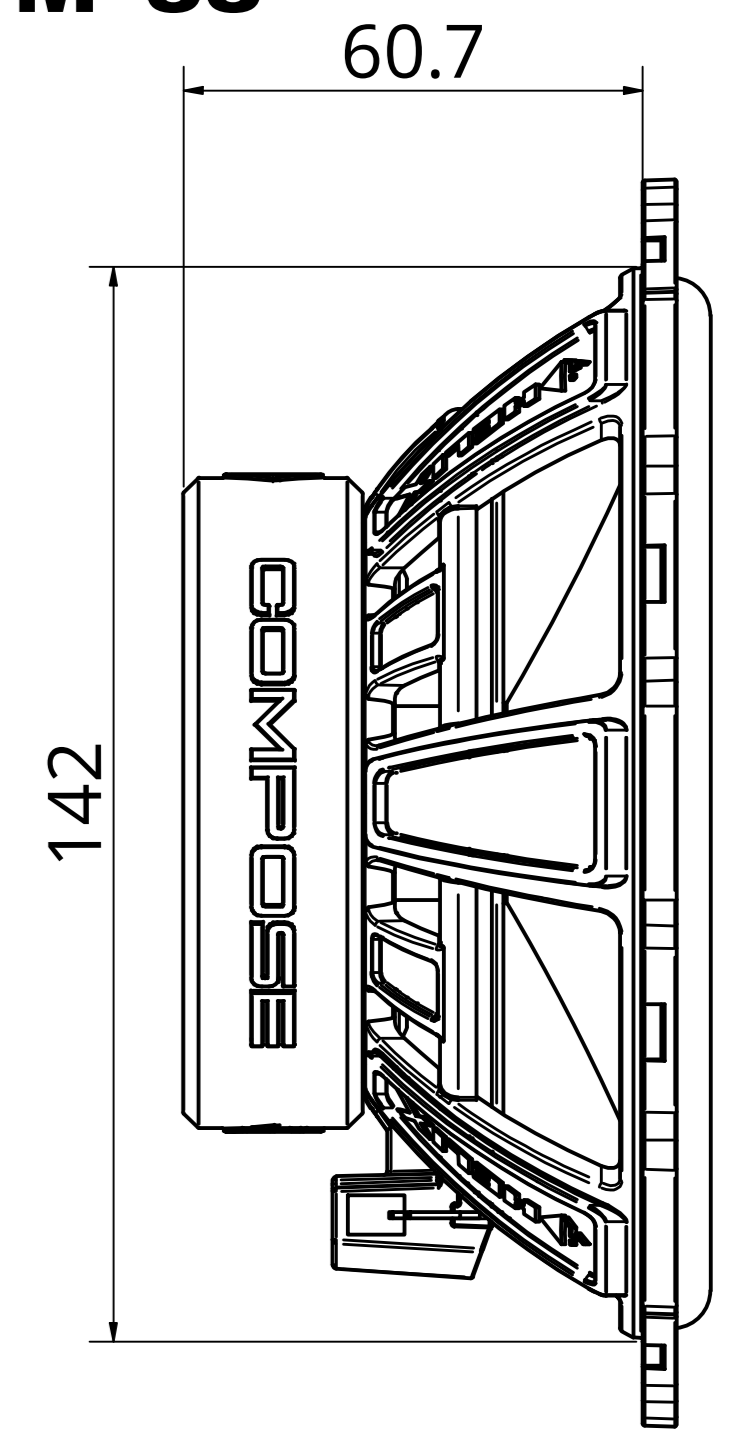
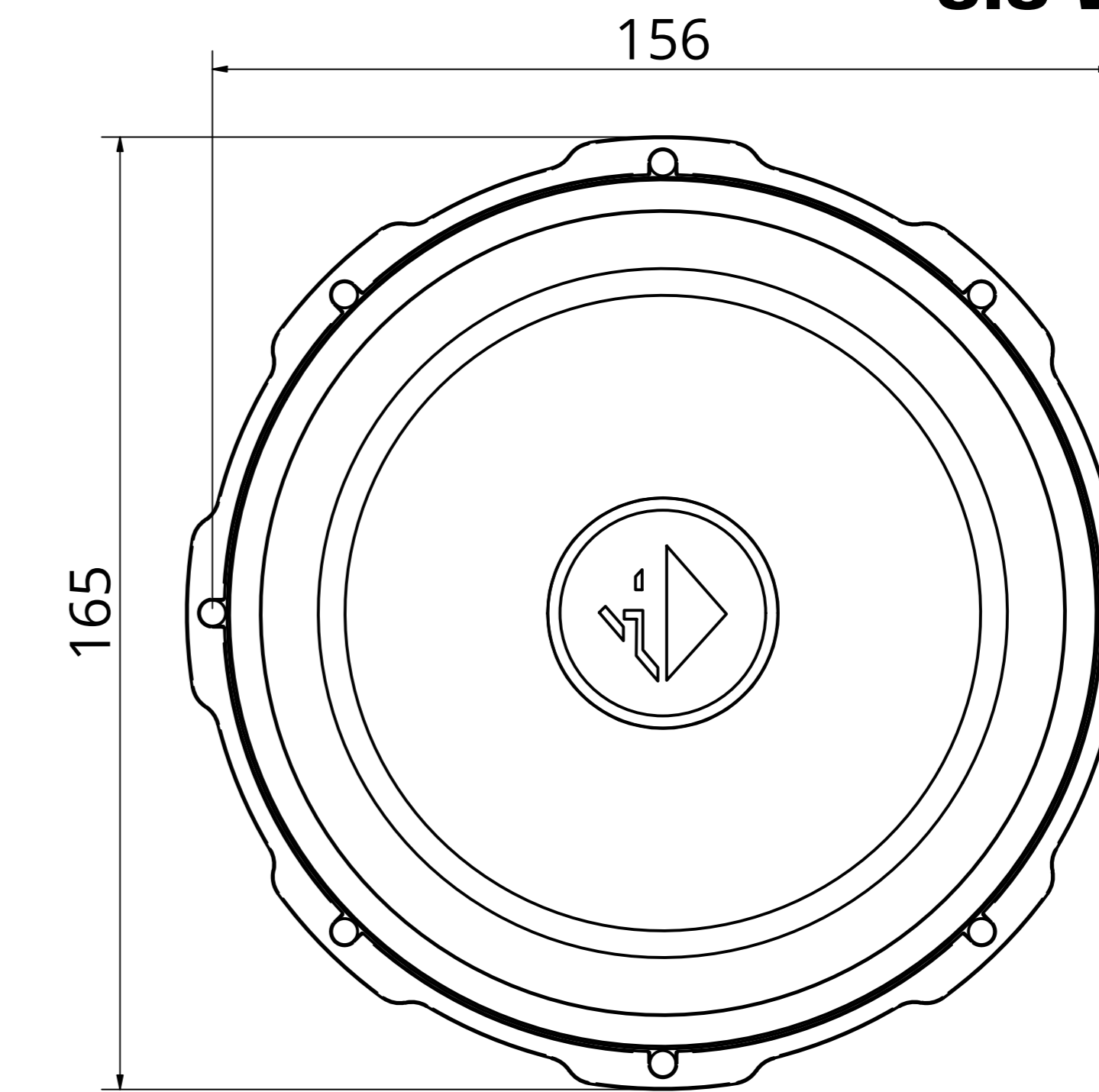
Ci3 W200FM-S3



New Cenosphere cone coating



Ci3 W165FM-S3

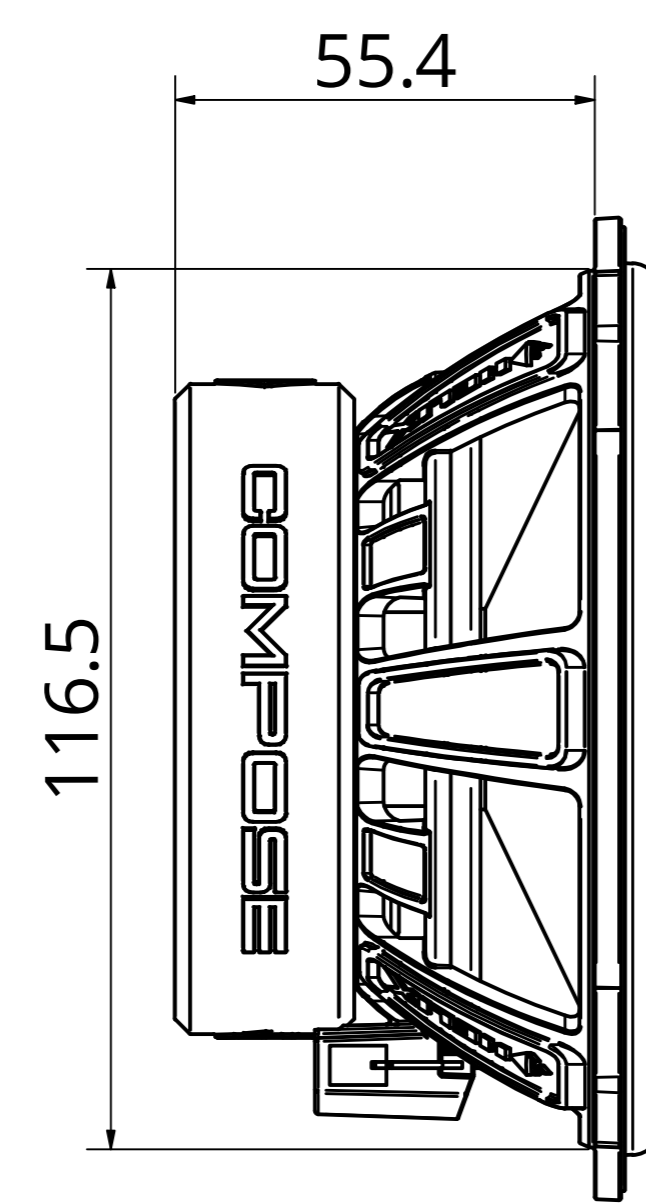
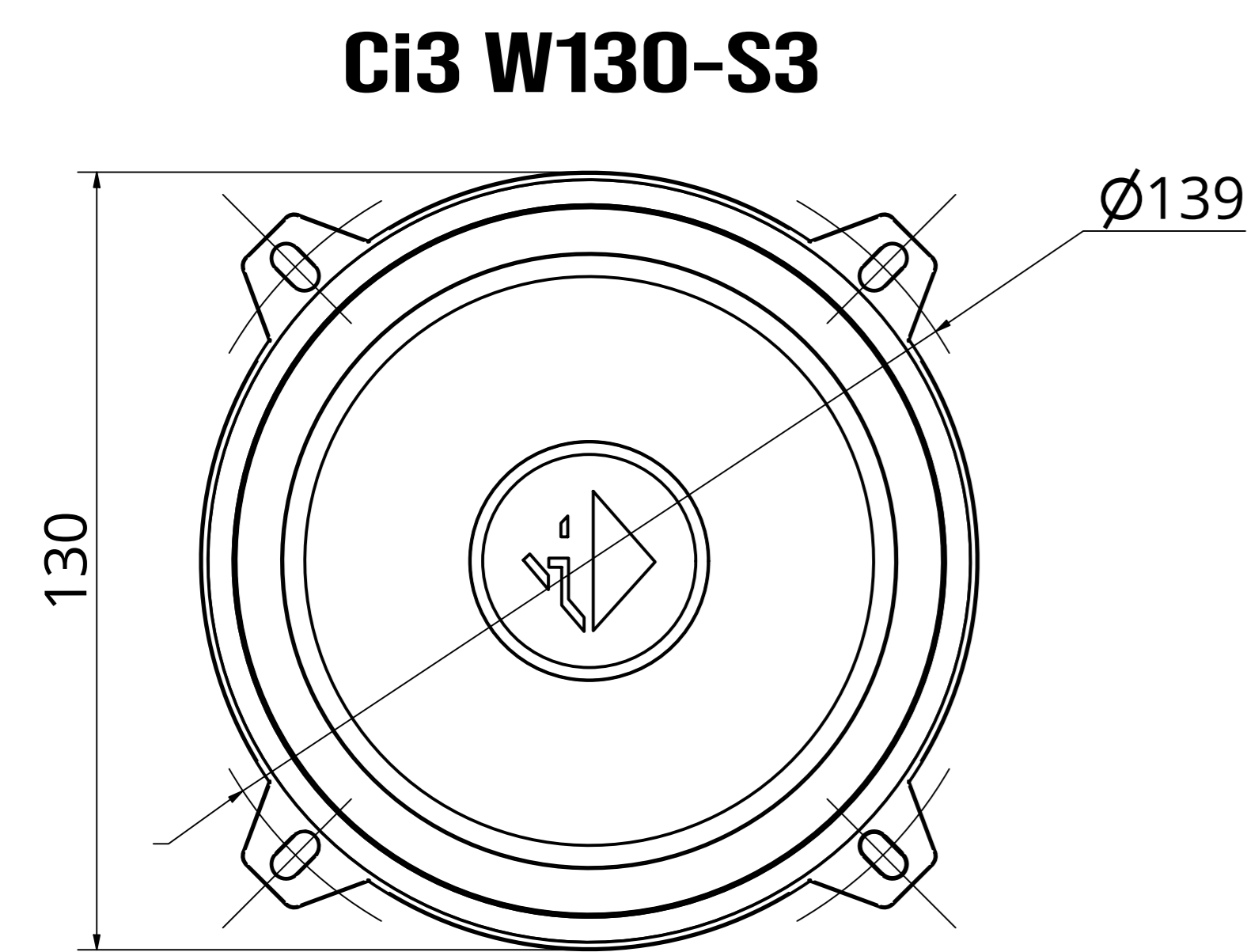


Cone area of a 200 mm speaker, but with less outer diameter

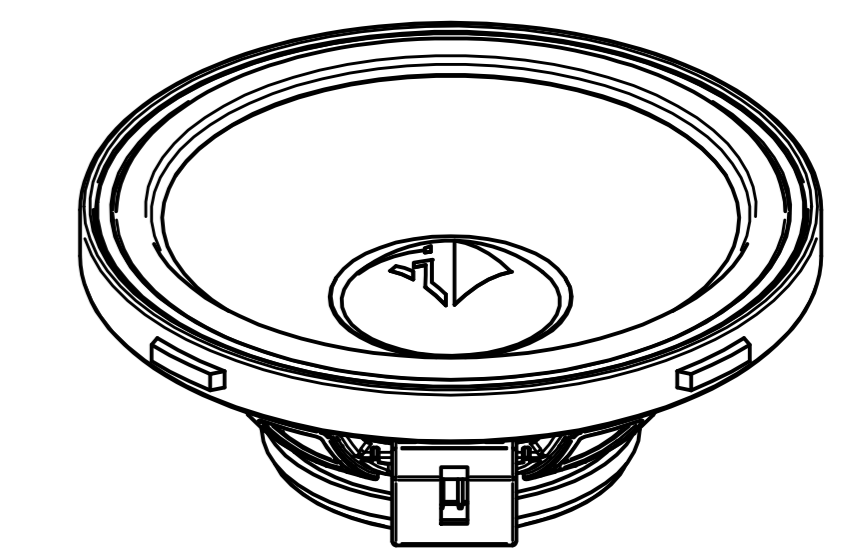
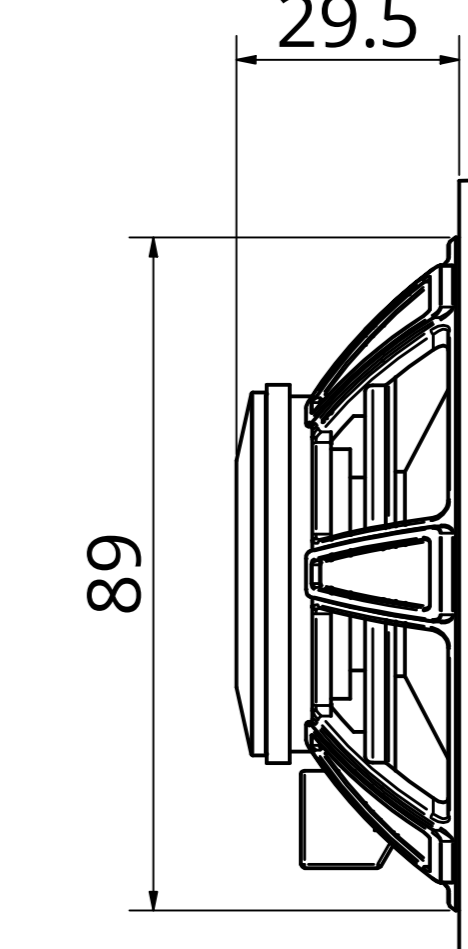
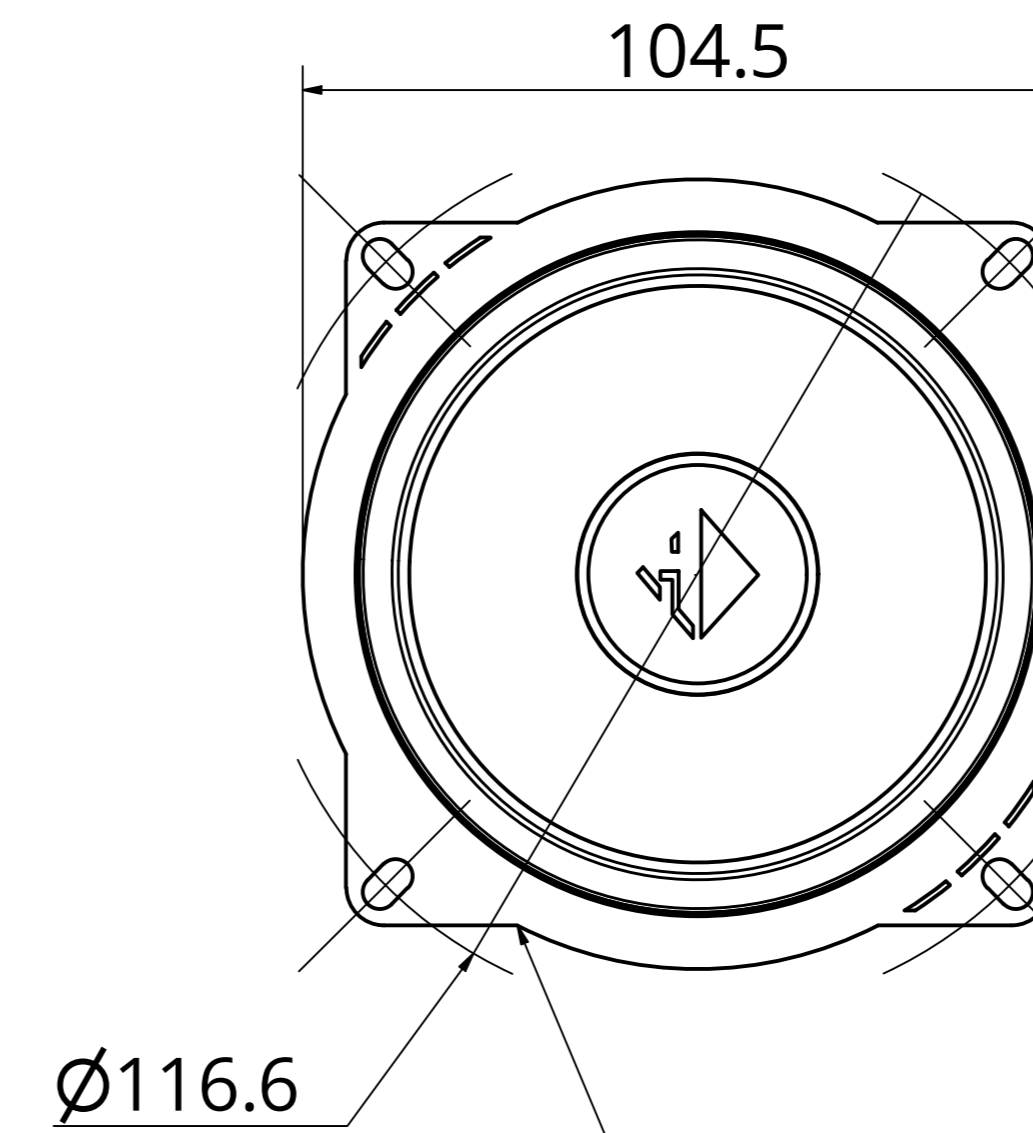
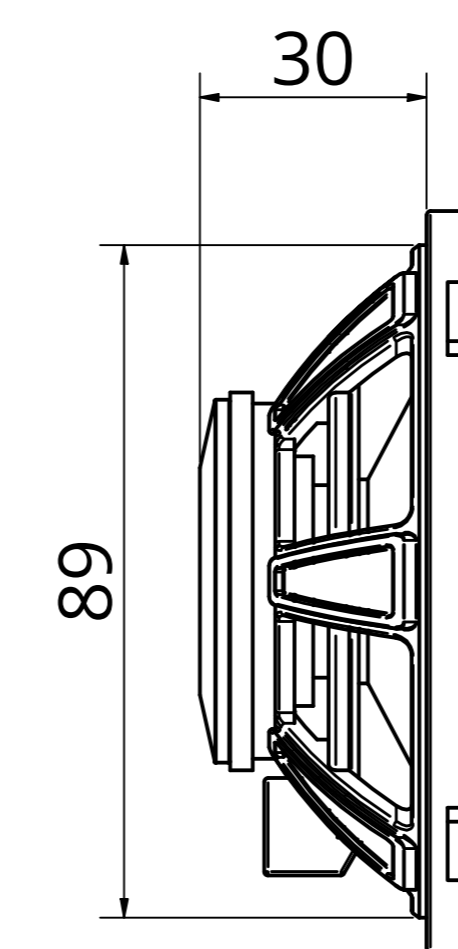
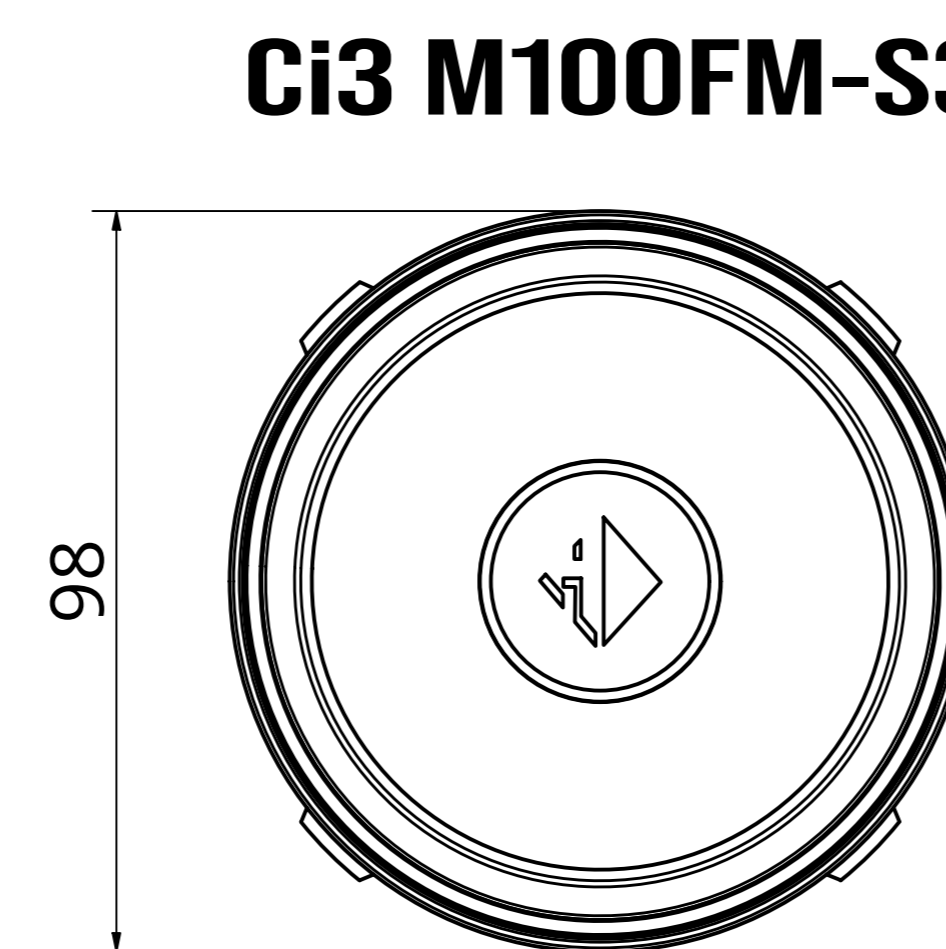
Adaptor ring and grille for DIN mounting hole circle included

FlexMount100 patented locking mechanism

Ci3 W130-S3



Ci3 M100FM-S3

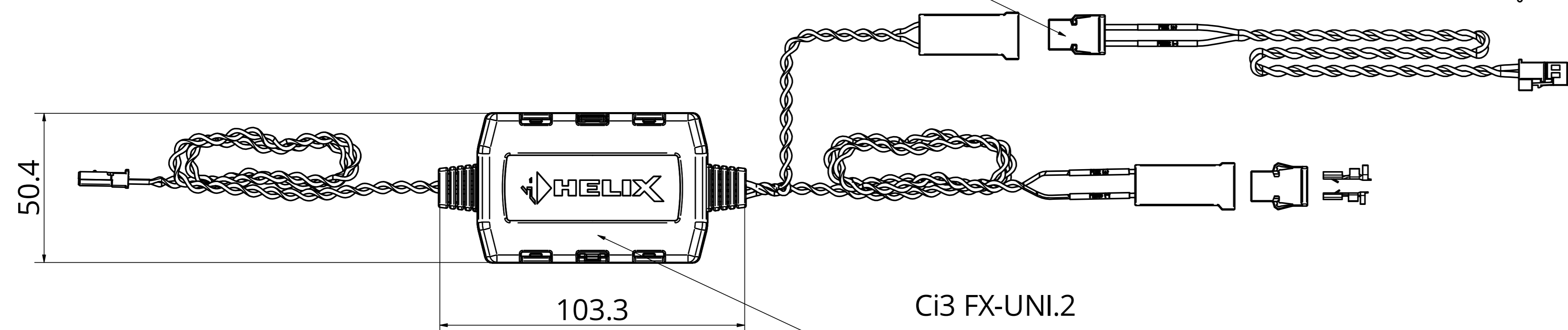


Universal FlexMount100 universal ring

CWK FX.W-550CC ProConnect to Compose Connect woofer cable separately available, included in all Speaker Kits 200

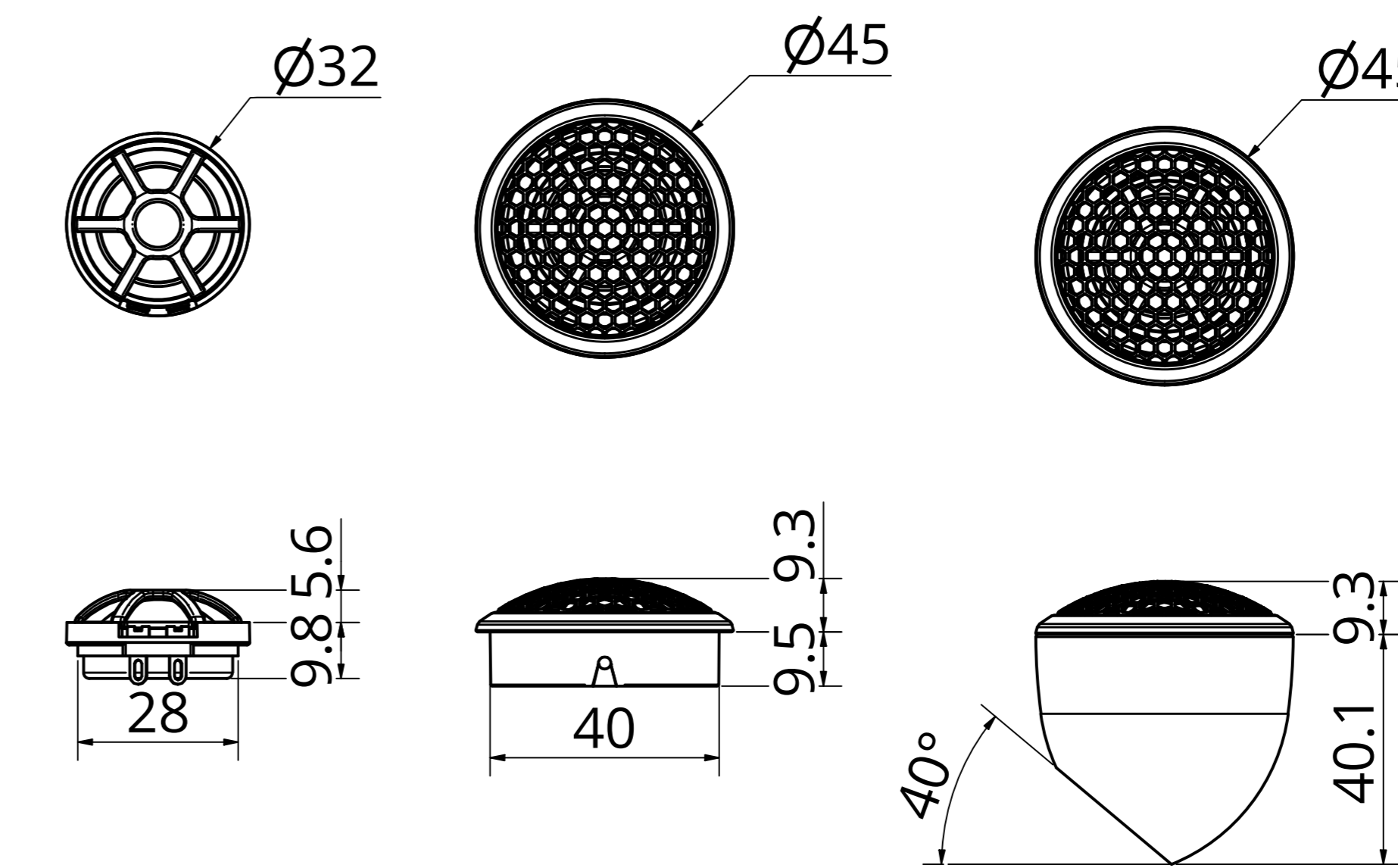
Ci3 FX.WLP-550CC ProConnect to Compose Connect woofer cable with lowpass integrated separately available, included in all Speaker Kits 130/165

CWK FX.M-550CC FlexConnect to Compose Connect midrange cable always included with compose midrange speaker



Ci3 FX-UNI.2 also available as smaller version: Ci3 FX-MINI.2

Ci3 T20FM-TI

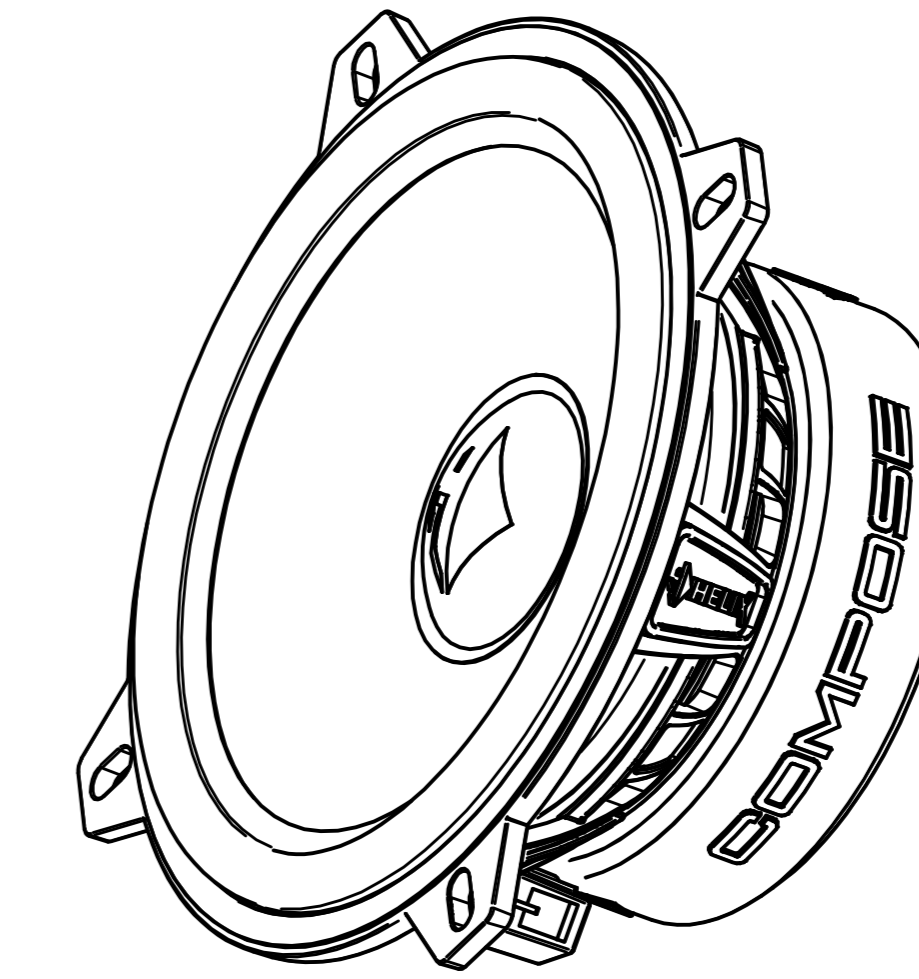
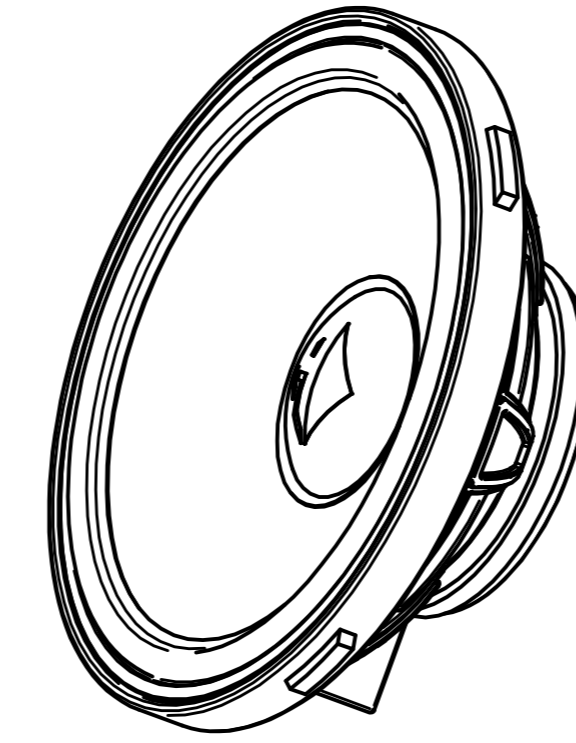
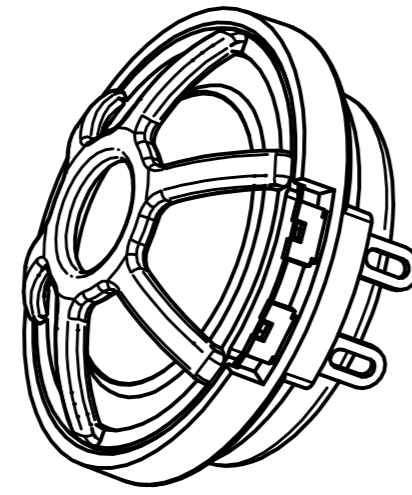


DIN ISO 2768-mk		Engineered in Germany	
Revised	Edition	Note	
Audiotec Fischer GmbH		1	
Hüngraben 26		A0	
52392 Schwalbenberg			

Ci3 all Speakers



Scale 2:1



Ci3 T20FM-TI

Technical specs	
Z (Ω)	4
Re (Ω)	3.4
frequency response (Hz)	2,000 - 25,000
Fs (Hz)	1,800
SPL (dB 2.83V/1m)	91
SPL (dB 1W/1m)	88
voice coil ø	20

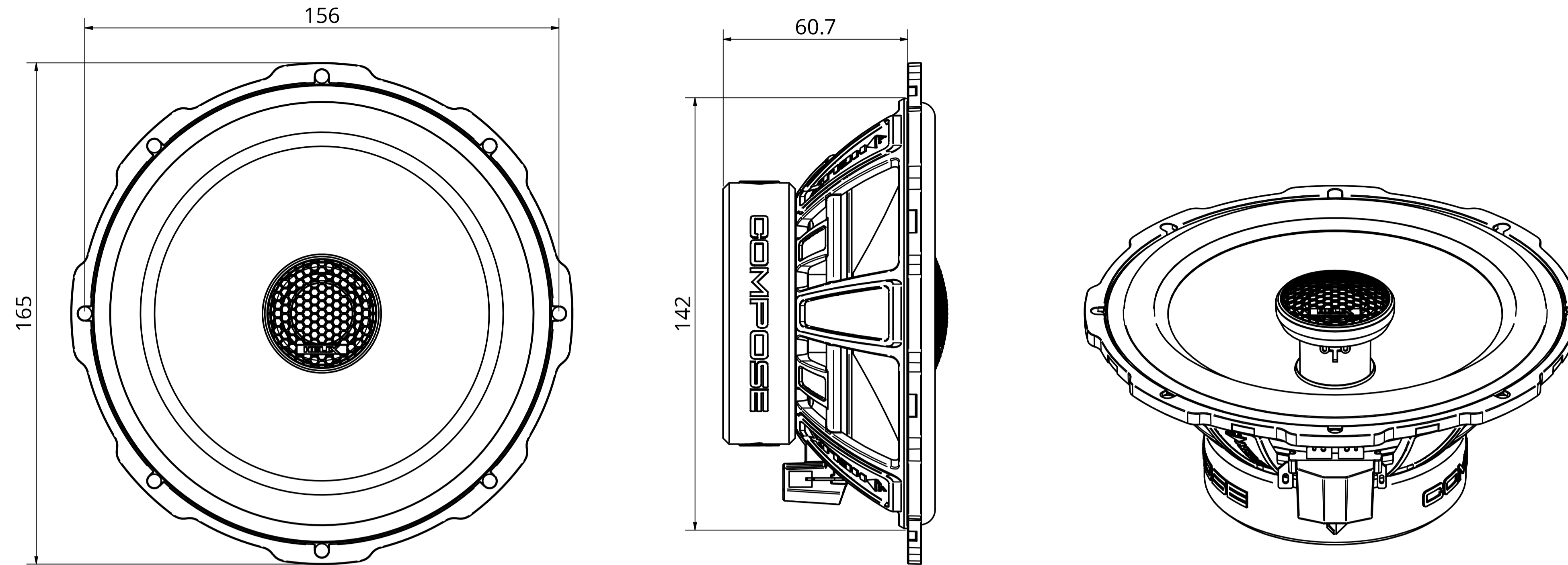
Ci3 M100FM-S3

Technical specs	
P (W)	80 / 120
Z (Ω)	3
Re (Ω)	3.0
frequency response (Hz)	120 - 6,000
Fs (Hz)	146
Qms	4.49
Qes	1.02
Qts	0.83
Cms (µm/N)	280
Vas (L)	1.1
B*I (Tm)	3.4
SPL (dB 2.83V/1m)	91
SPL (dB 1W/1m)	87
Sd (cm ²)	53
Mms (gr)	4.3
Rms (Kg/s)	0.87
voice coil ø (mm)	25
voice coil winding height (mm)	4.8
Xmax (mm)	+/- 2.0
outer ø (mm)	98
installation ø (mm)	89
installation depth (mm)	30

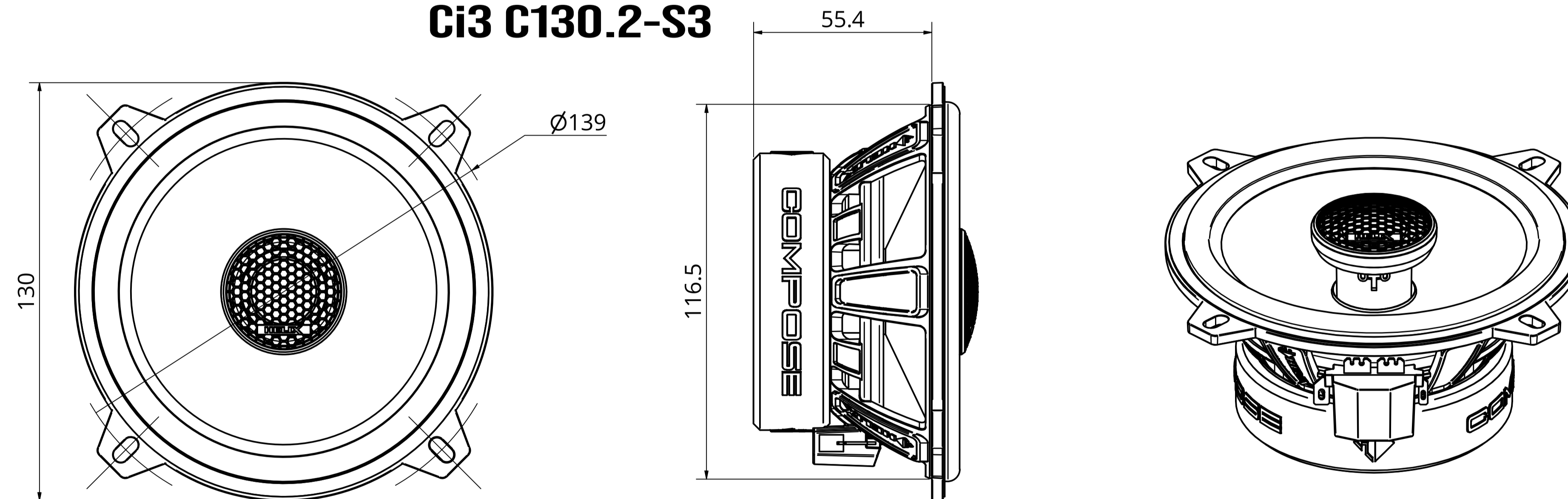
Ci3 W130-S3

Technical specs	
P (W)	90 / 135
Z (Ω)	3
Re (Ω)	3.1
frequency response (Hz)	80 - 4,000
Fs (Hz)	89
Qms	3.11
Qes	0.97
Qts	0.74
Cms (µm/N)	350
Vas (L)	4.6
B*I (Tm)	4.0
SPL (dB 2.83V/1m)	91
SPL (dB 1W/1m)	87
Sd (cm ²)	98
Mms (gr)	9.1
Rms (Kg/s)	1.65
voice coil ø (mm)	25
voice coil winding height (mm)	10.5
Xmax (mm)	+/- 3.2
outer ø (mm)	130
installation ø (mm)	116.5
installation depth (mm)	55.4

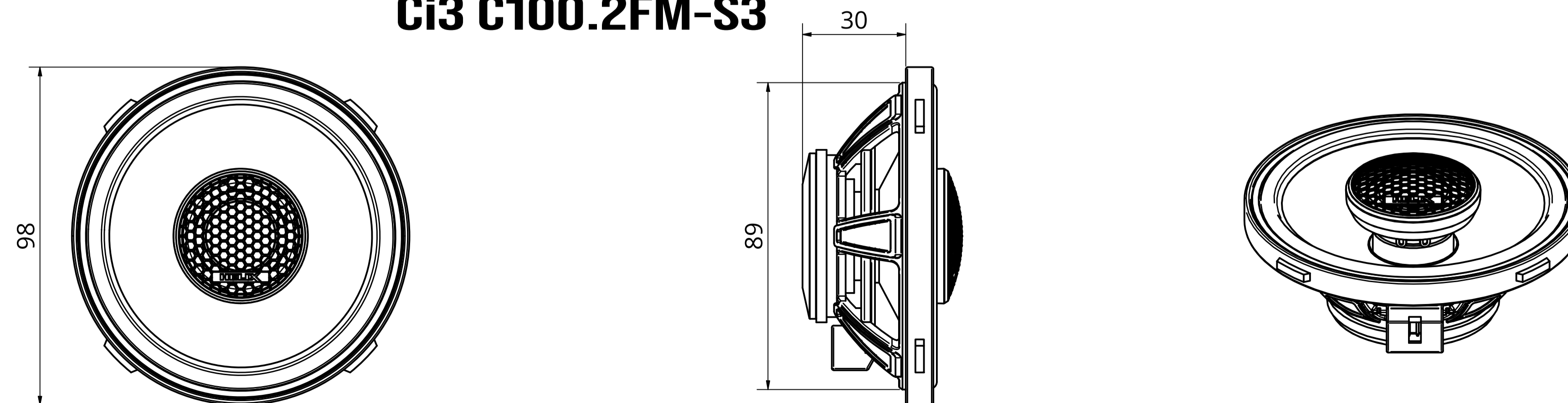
Ci3 C165.2FM-S3



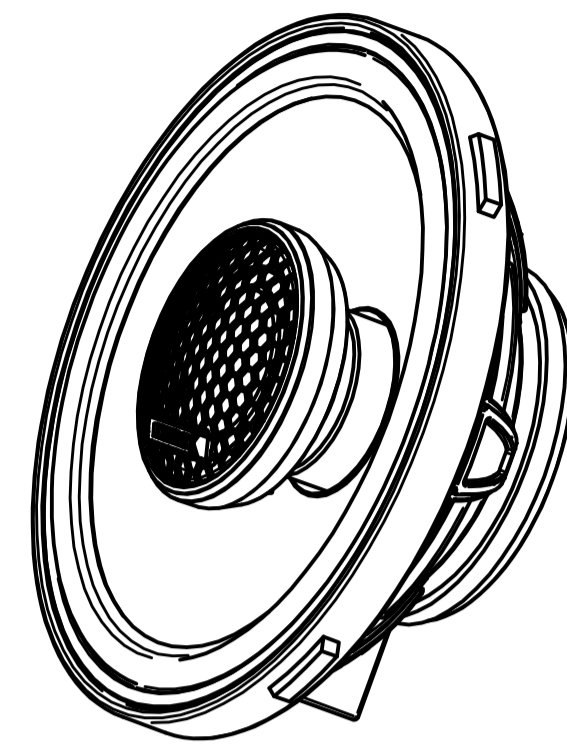
Ci3 C130.2-S3



Ci3 C100.2FM-S3

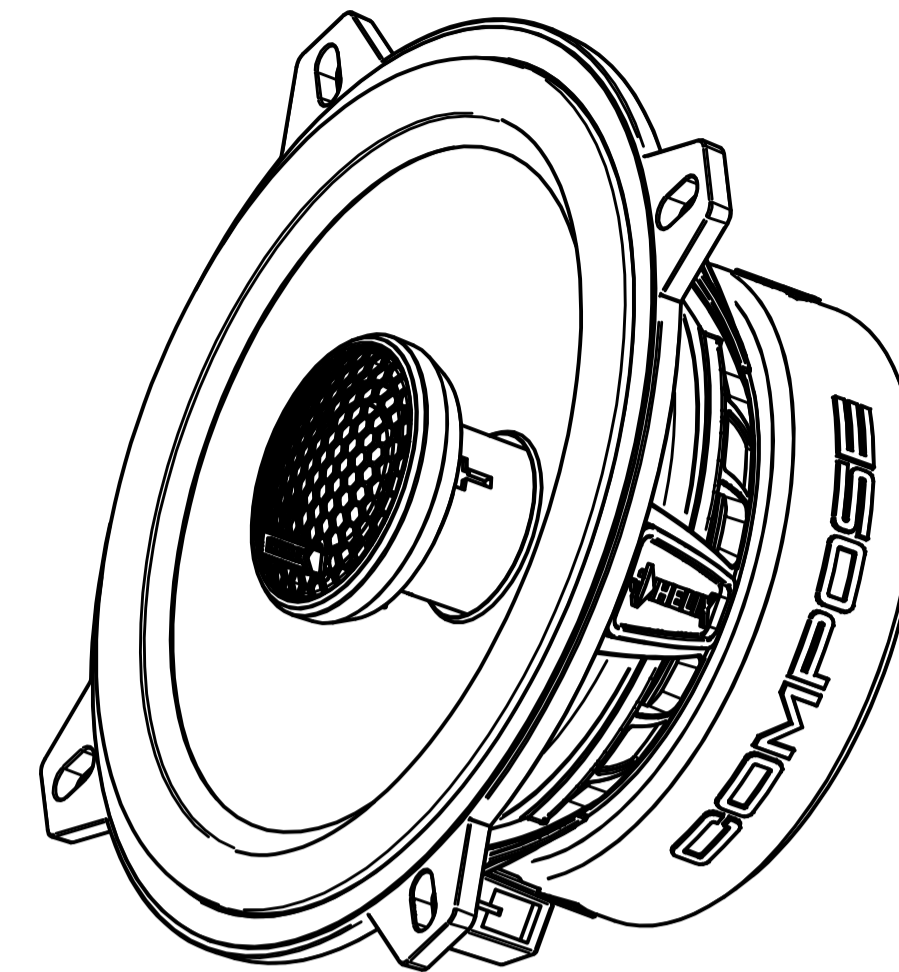


DIN ISO 2768-mk		1:1	
Author		Engineered in Germany	
Date		<h3>Ci3 all Coax</h3>	
Checked			
Name			
AudioTec Fischer GmbH		1	
Hünegräben 26		A1	
57392 Schmallenberg			
Status	Changes	Date	Name



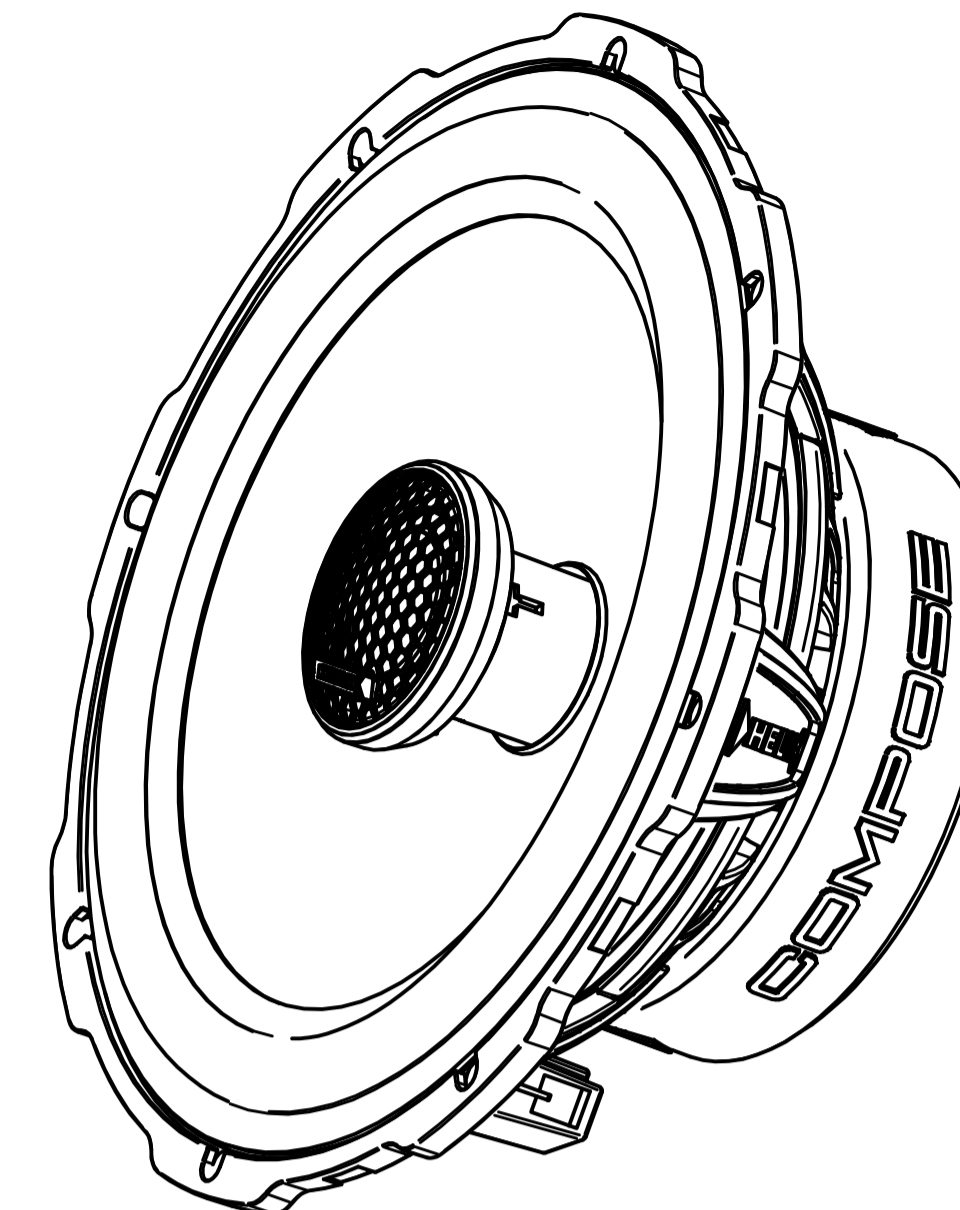
Ci3 C100.2FM-S3

Technical specs	
P (W)	80 / 120
Z (Ω)	3
Re (Ω)	3.0
Fs (Hz)	137
frequency response (Hz)	100 - 25,000
cone material	TW: Titanium dome W: Cenosphere coated paper cone
crossover	Integrated 6 dB slope
Qms	4.37
Qes	0.78
Qts	0.66
Cms (µm/N)	456
Vas (L)	2.1
B*I (Tm)	3.2
SPL (dB 2.83V/1m)	91
SPL (dB 1W/1m)	87
Sd (cm ²)	57
Mms (gr)	3
Rms (Kg/s)	0.58
voice coil ø (mm)	25
voice coil winding height (mm)	4.8
Xmax (mm)	+/- 2
outer ø (mm)	98
installation ø (mm)	89
installation depth (mm)	30



Ci3 C130.2-S3

Technical specs	
P (W)	90 / 135
Z (Ω)	3
Re (Ω)	3.0
Fs (Hz)	92
frequency response (Hz)	80 - 25,000
cone material	TW: Titanium dome W: Cenosphere coated paper cone
crossover	Integrated 6 dB slope
Qms	2.76
Qes	0.90
Qts	0.68
Cms (µm/N)	374
Vas (L)	4.9
B*I (Tm)	3.8
SPL (dB 2.83V/1m)	92
SPL (dB 1W/1m)	88
Sd (cm ²)	97
Mms (gr)	7.6
Rms (Kg/s)	1.6
voice coil ø (mm)	25
voice coil winding height (mm)	10.5
Xmax (mm)	+/- 3.2
outer ø (mm)	130
installation ø (mm)	116.5
installation depth (mm)	55.4



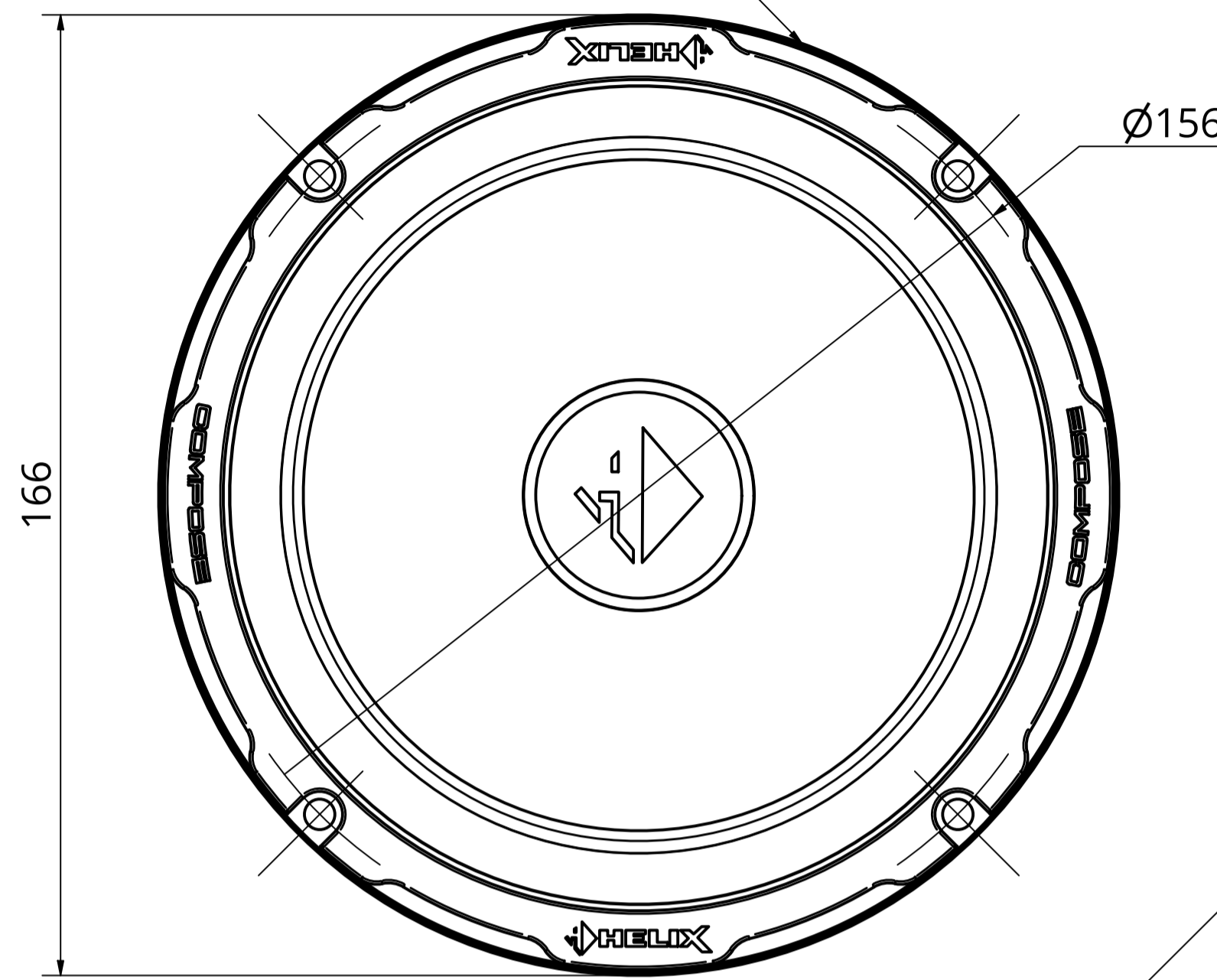
Ci3 C165.2FM-S3

Technical specs	
P (W)	100 / 150
Z (Ω)	3
Re (Ω)	3.1
Fs (Hz)	72
frequency response (Hz)	60 - 25,000
cone material	TW: Titanium dome W: Cenosphere coated paper cone
crossover	Integrated 6 dB slope
Qms	4.02
Qes	1.04
Qts	0.82
Cms (µm/N)	466
Vas (L)	11.5
B*I (Tm)	3.8
SPL (dB 2.83V/1m)	92
SPL (dB 1W/1m)	88
Sd (cm ²)	133
Mms (gr)	10.4
Rms (Kg/s)	1.17
voice coil ø (mm)	25
voice coil winding height (mm)	10.5
Xmax (mm)	+/- 3.2
outer ø (mm)	165
installation ø (mm)	142
installation depth (mm)	60.7

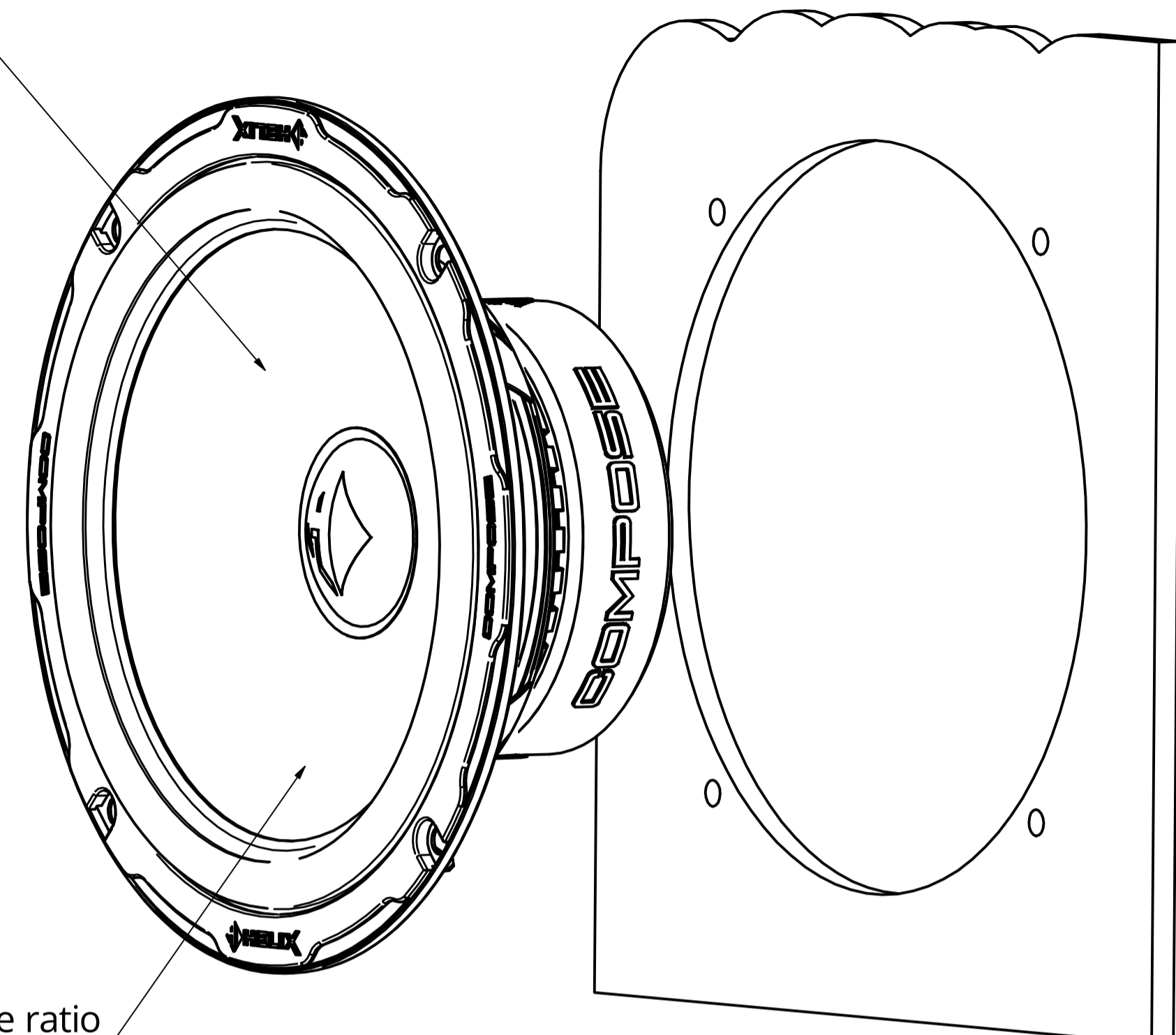
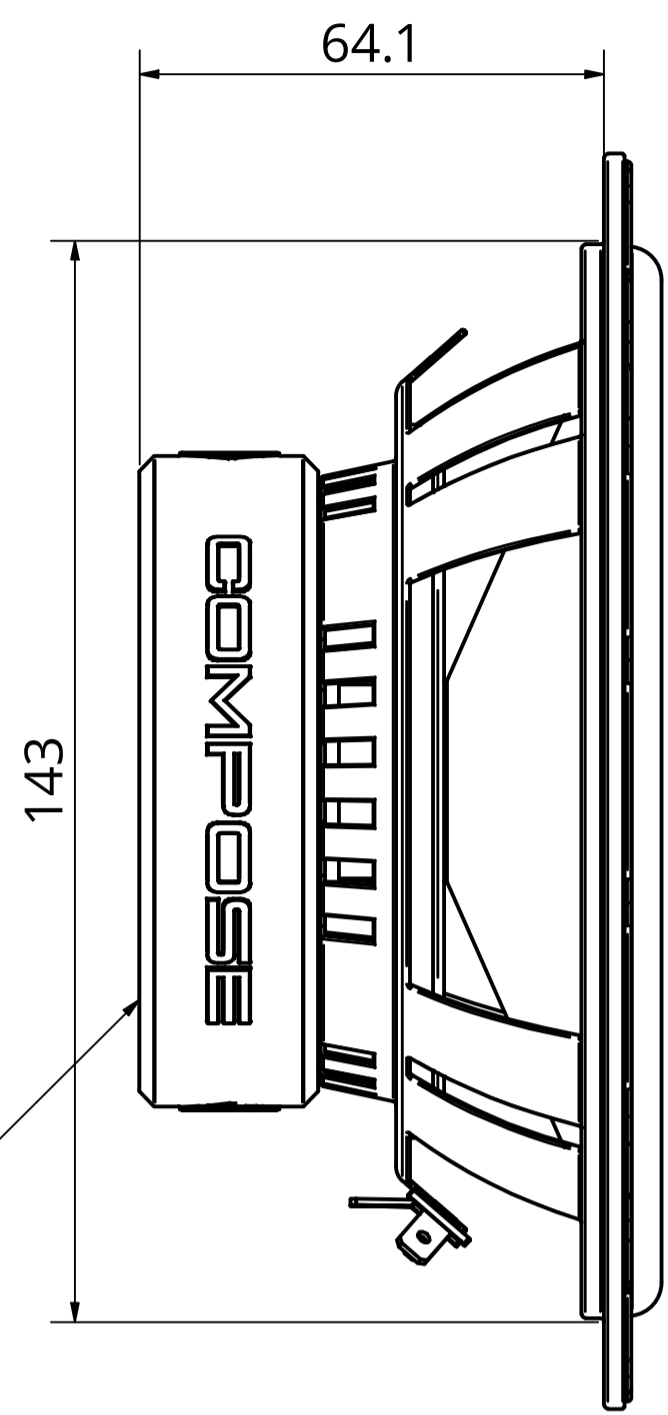
DIN ISO 2768-mk		1:1	
Author		Engineered in Germany	
Date		Ci3 all Coax	
Name			
Checked			
Name			
Status		Audiotec Fischer GmbH Hünegräben 26 57392 Schmallenberg	
Changes		2 A1	

COMPOSE

Standard mounting circle

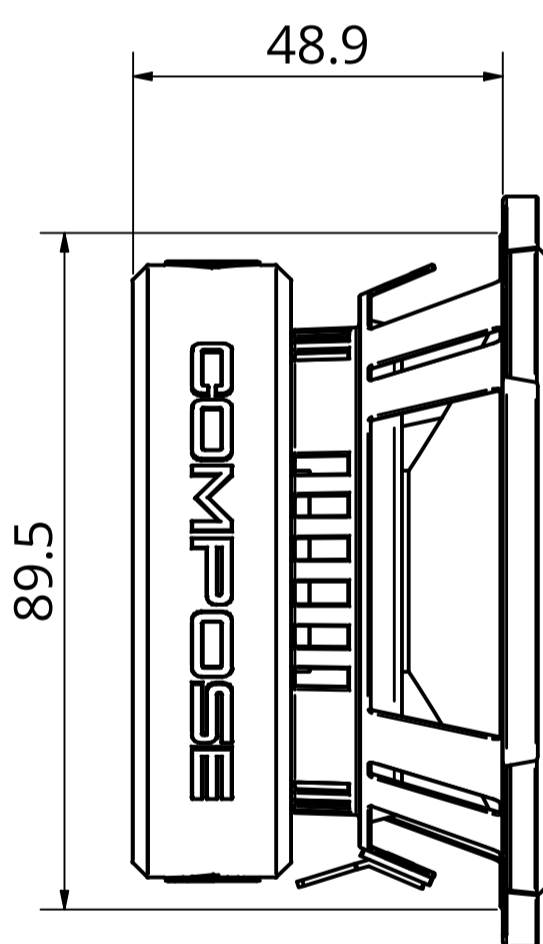
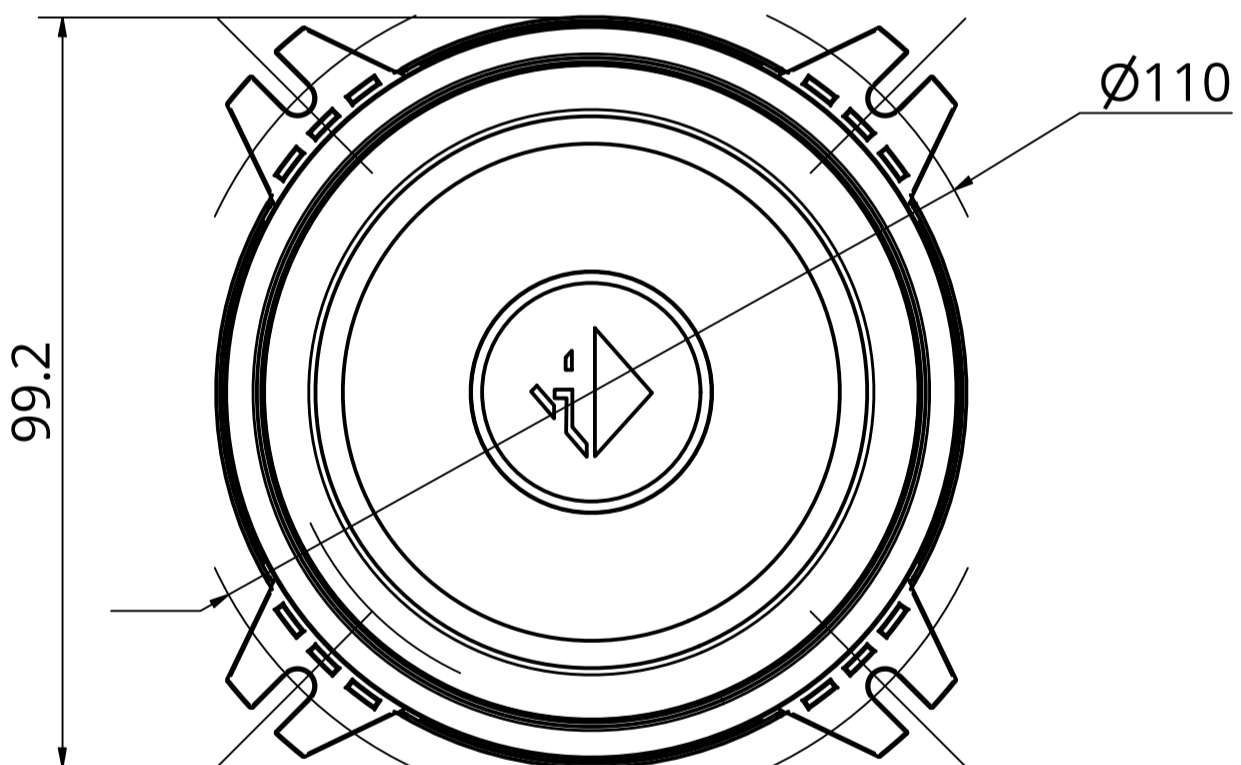
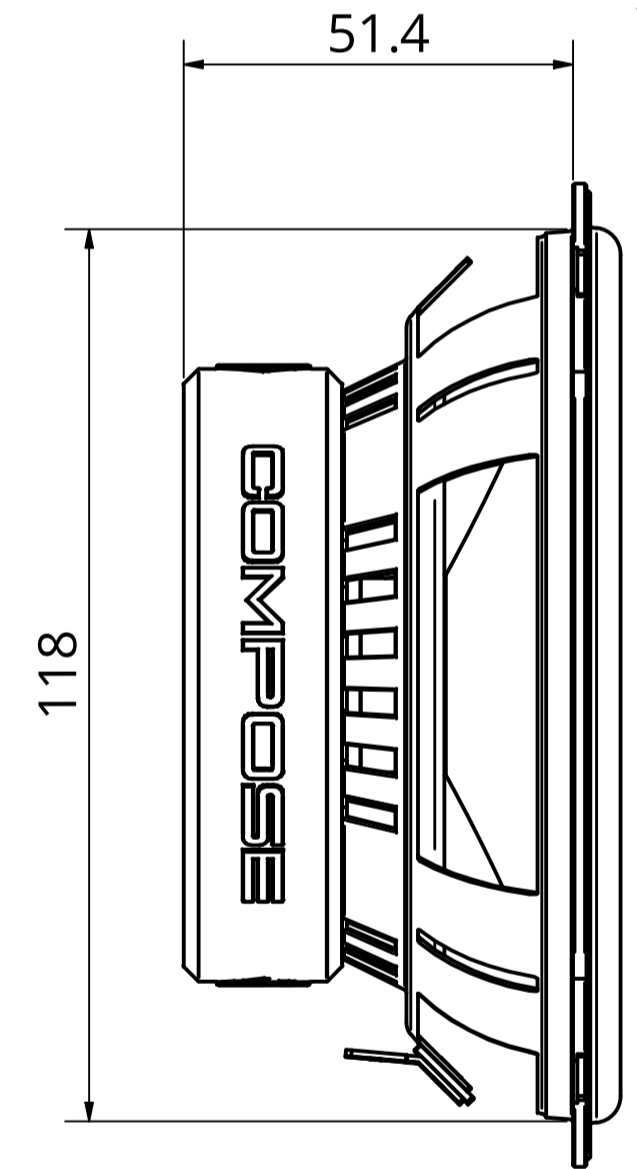
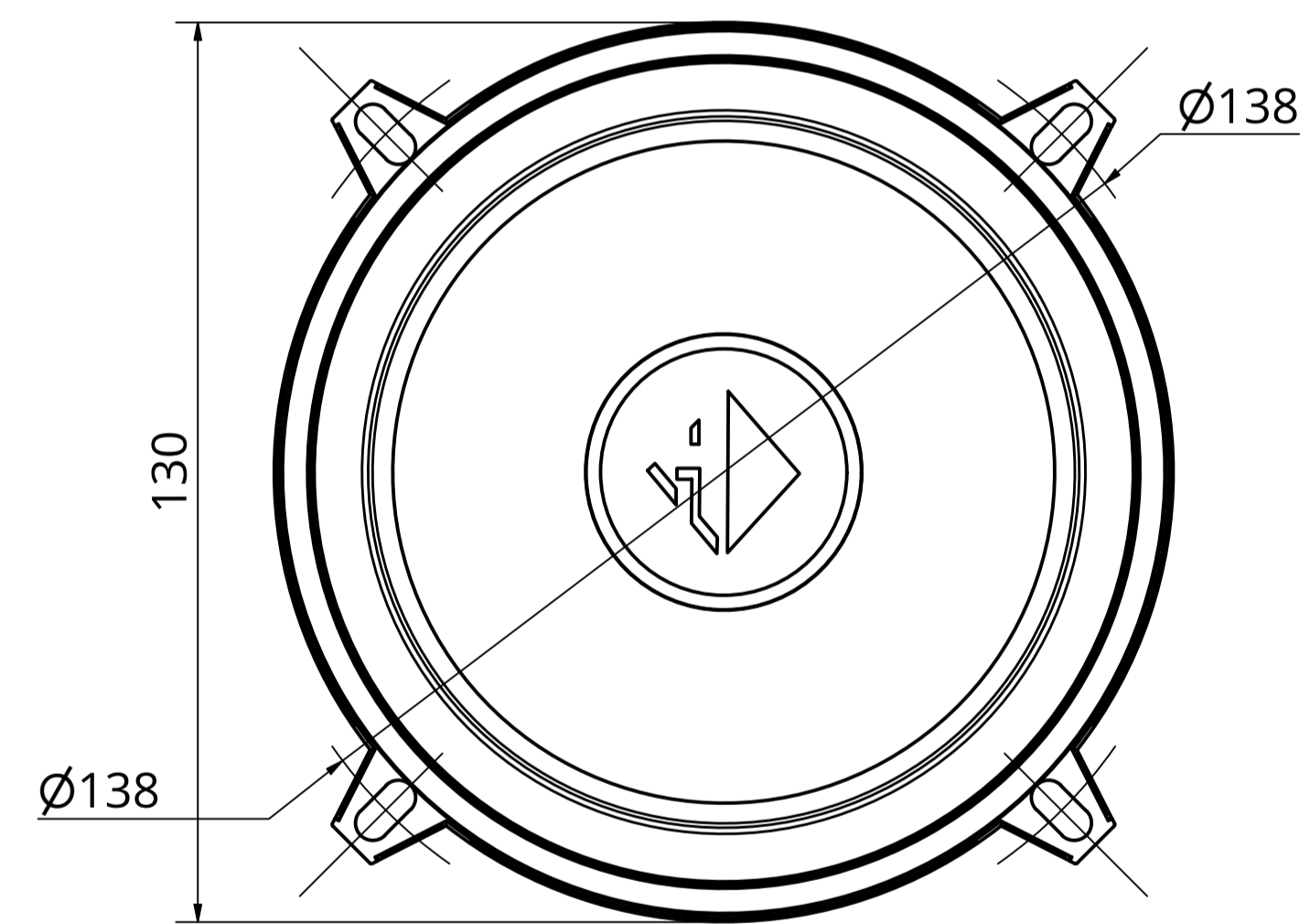


Durable cone made out of injected polypropylene

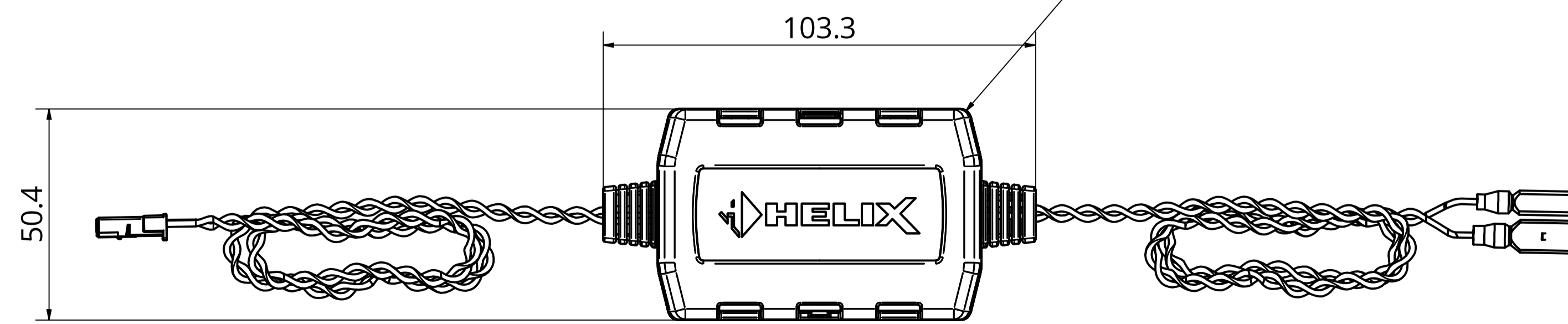


Powerful, high SPL, 3 Ohms speaker

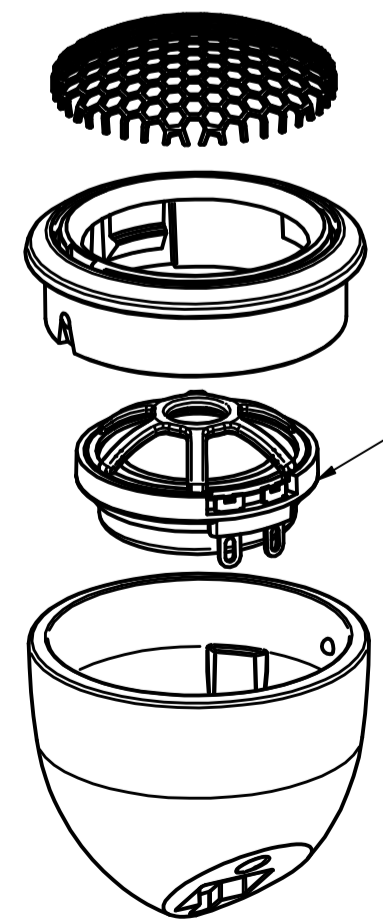
Great price-performance ratio



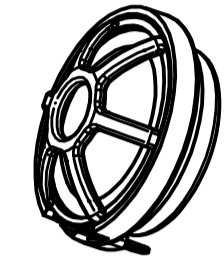
One crossover for each Speaker Kit



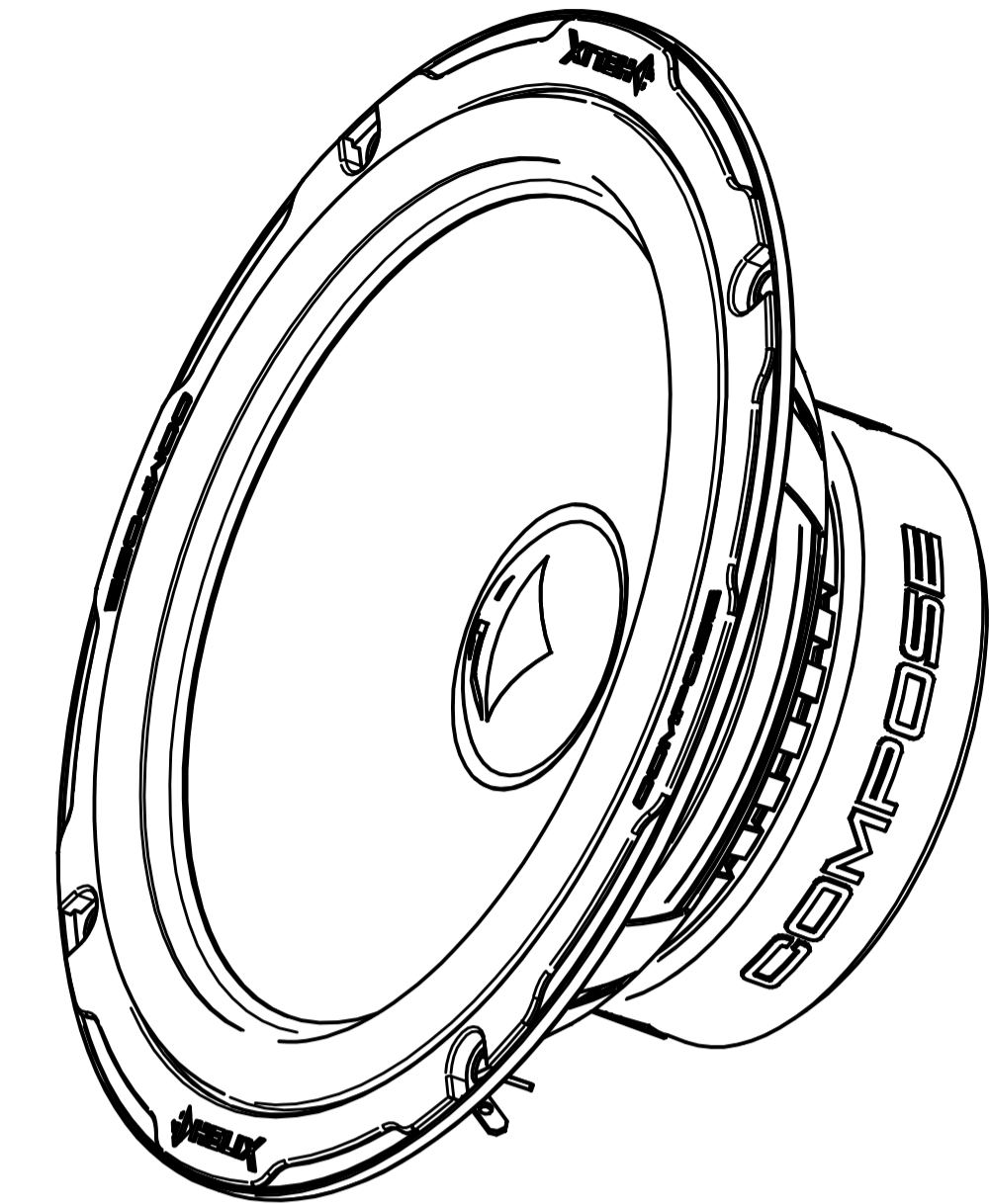
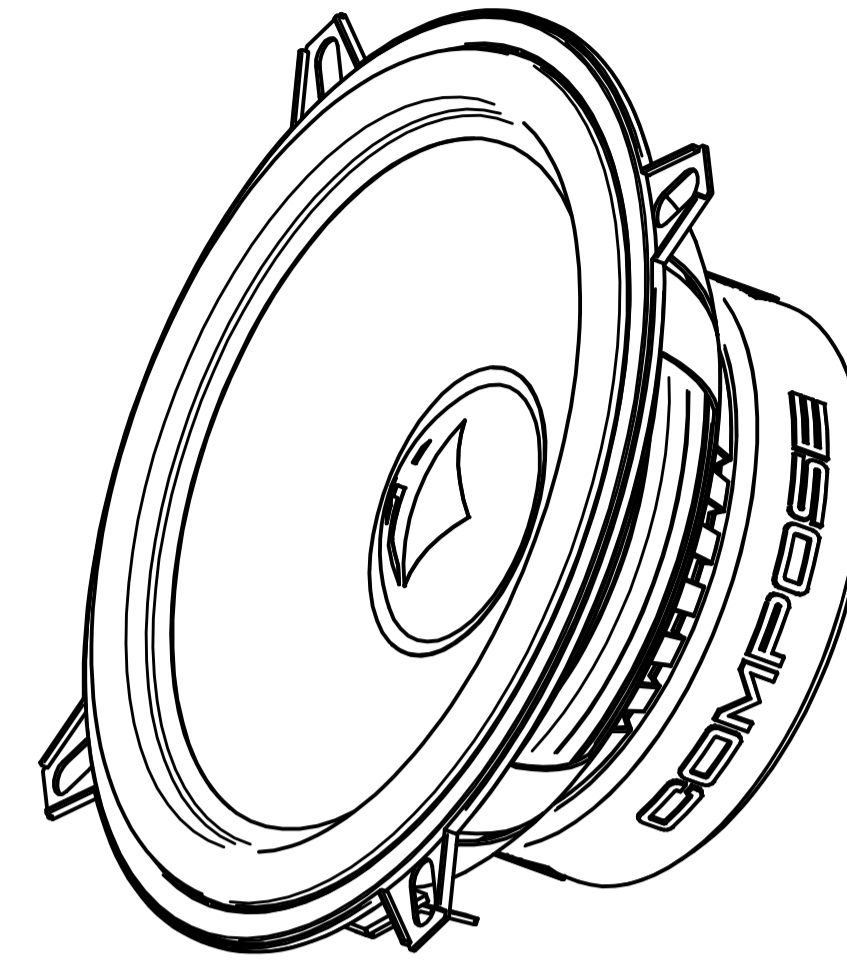
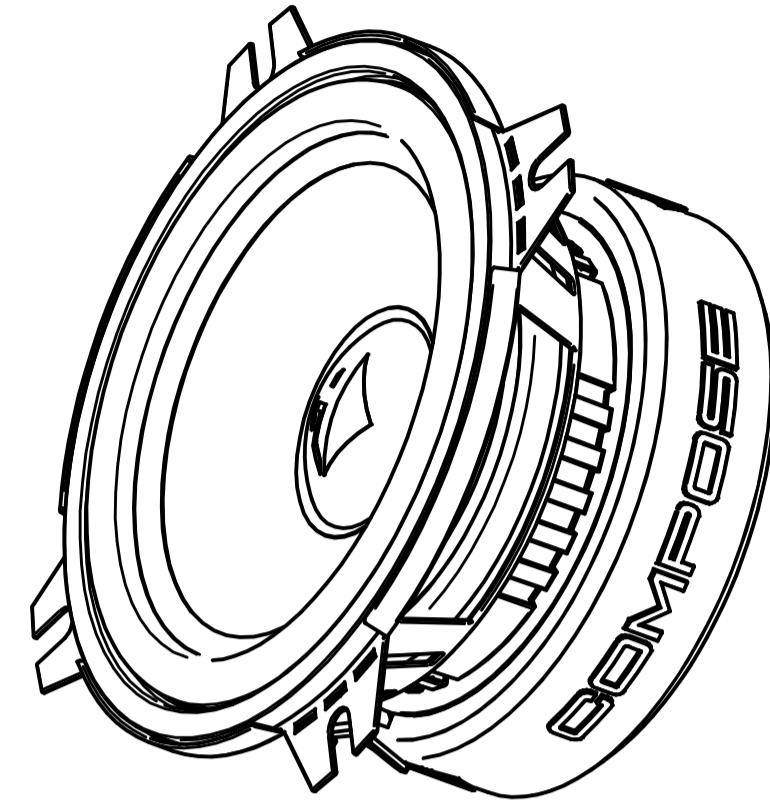
Tweeter made for FlexMount20



DIN ISO 2768-mk		1:1	
Date		Name	
Author		Engineered in Germany	
Checked		CB all Speakers	
None			
Audiotec Fischer GmbH Hünegräben 26 57392 Schmallenberg		2 A1	
Status	Changes	Date	Name



FlexMount20
compatible!



CB T20FM-S

Technical specs	
Z (Ω)	4
Re (Ω)	3.4
frequency response (Hz)	2.000 - 25,000
Fs (Hz)	2000
SPL (dB 2.83V/1m)	91
SPL (dB 1W/1m)	88
voice coil ø	20

CB W100-S3

Technical specs	
P (W)	60 / 90
Z (Ω)	3
Re (Ω)	3.1
frequency response (Hz)	120 - 6,000
Fs (Hz)	116
Qms	5.05
Qes	0.97
Qts	0.81
Cms (µm/N)	250
Vas (L)	0.9
B*I (Tm)	4.2
SPL (dB 2.83V/1m)	88
SPL (dB 1W/1m)	84
Sd (cm ²)	50
Mms (gr)	7.5
Rms (Kg/s)	1.09
voice coil ø (mm)	25
voice coil winding heigh (mm)	8.9
Xmax (mm)	+/- 2.5
outer ø (mm)	99.2
installation ø (mm)	89.5
installation depth (mm)	48.9

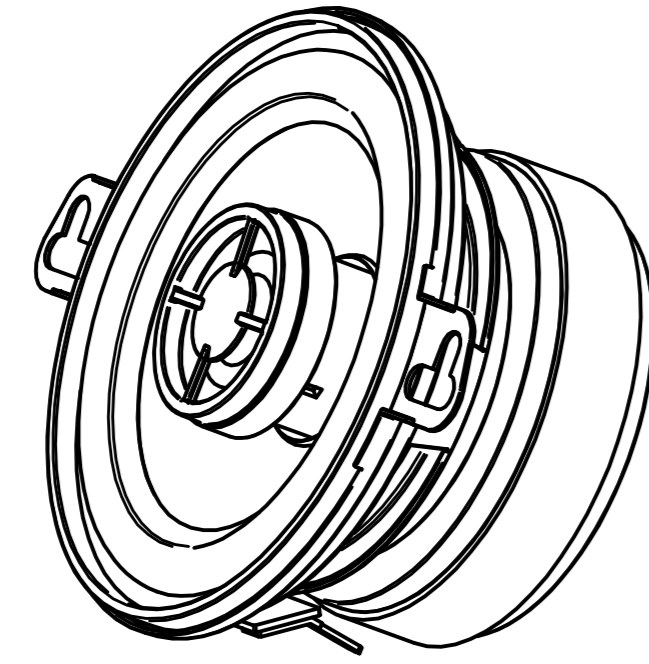
CB W130-S3

Technical specs	
P (W)	70 / 105
Z (Ω)	3
Re (Ω)	3.0
frequency response (Hz)	80 - 5,000
Fs (Hz)	88
Qms	4.1
Qes	1.12
Qts	0.88
Cms (µm/N)	320
Vas (L)	4.2
B*I (Tm)	3.9
SPL (dB 2.83V/1m)	90
SPL (dB 1W/1m)	86
Sd (cm ²)	97
Mms (gr)	10.1
Rms (Kg/s)	1.3
voice coil ø (mm)	25
voice coil winding height (mm)	8.9
Xmax (mm)	+/- 2.5
outer ø (mm)	130
installation ø (mm)	118
installation depth (mm)	51.4

CB W165-S3

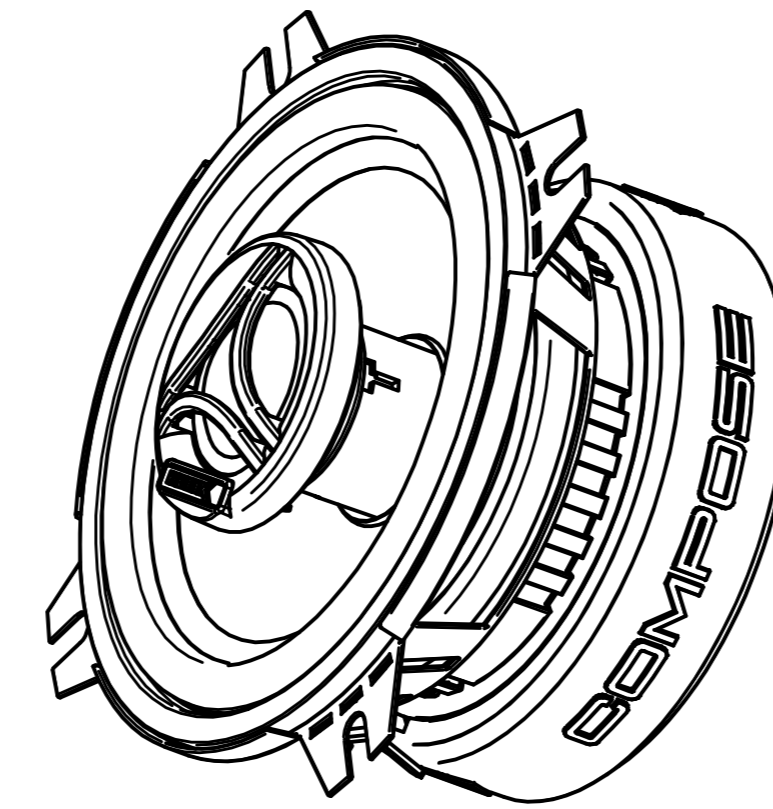
Technical specs	
P (W)	80 / 120
Z (Ω)	3
Re (Ω)	3.0
frequency response (Hz)	60 - 3,500
Fs (Hz)	62
Qms	4.5
Qes	0.9
Qts	0.75
Cms (µm/N)	520
Vas (L)	14.5
B*I (Tm)	4.1
SPL (dB 2.83V/1m)	92
SPL (dB 1W/1m)	88
Sd (cm ²)	141
Mms (gr)	13.2
Rms (Kg/s)	1.10
voice coil ø (mm)	25
voice coil winding height (mm)	8.9
Xmax (mm)	+/- 2.5
outer ø (mm)	166
installation ø (mm)	143
installation depth (mm)	61.4

DIN ISO 2768-mk		1:1	
Date		Name	
Author		Engineered in Germany	
Checked		CB all Speakers	
Drawn			
Audiotec Fischer GmbH Hünegräben 26 57392 Schmallenberg		3 A1	
Status	Changes	Date	Name



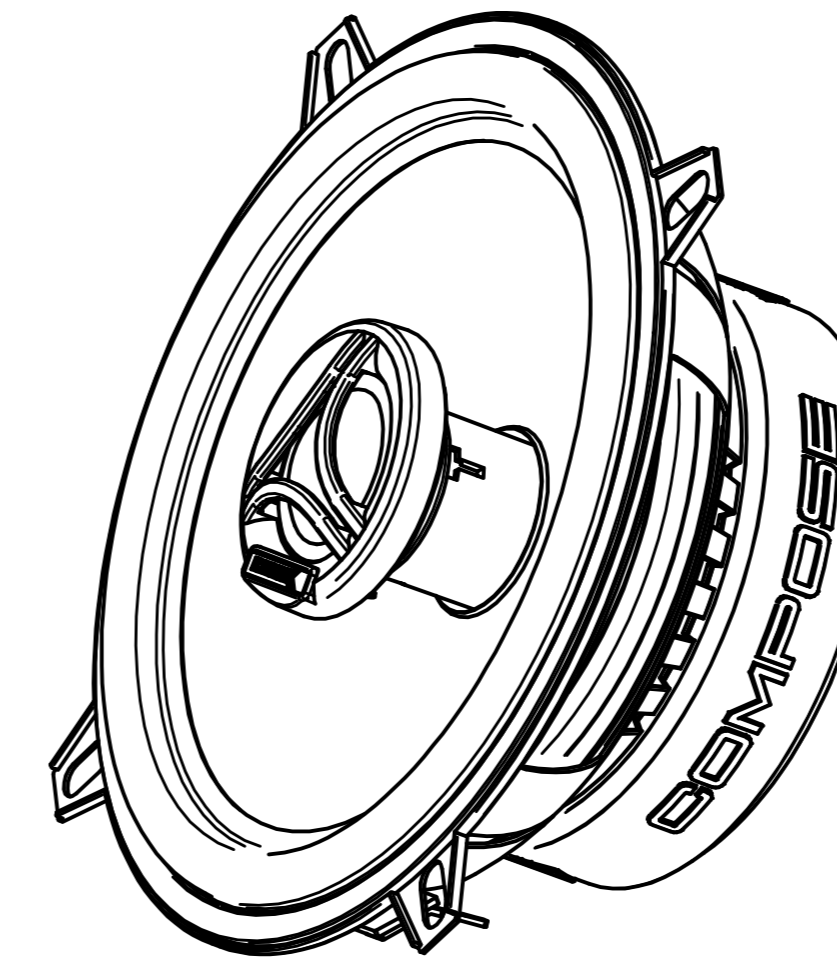
CB C87.2-S3

Technical specs	
P (W)	40 / 60
Z (Ω)	3
Re (Ω)	3.0
Fs (Hz)	92
frequency response (Hz)	110 - 22,000
cone material	TW: PEI dome W: Polypropylene cone
crossover	Integrated 6 dB slope
Qms	3.8
Qes	0.74
Qts	0.62
Cms (μm/N)	820
Vas (L)	1.5
B*I (Tm)	2.9
SPL (dB 2.83V/1m)	88
SPL (dB 1W/1m)	84
Sd (cm ²)	36
Mms (gr)	3.6
Rms (Kg/s)	0.52
voice coil ø (mm)	25
voice coil winding height (mm)	8.3
Xmax (mm)	+/- 2.2
outer ø (mm)	86.9
installation ø (mm)	79
installation depth (mm)	42



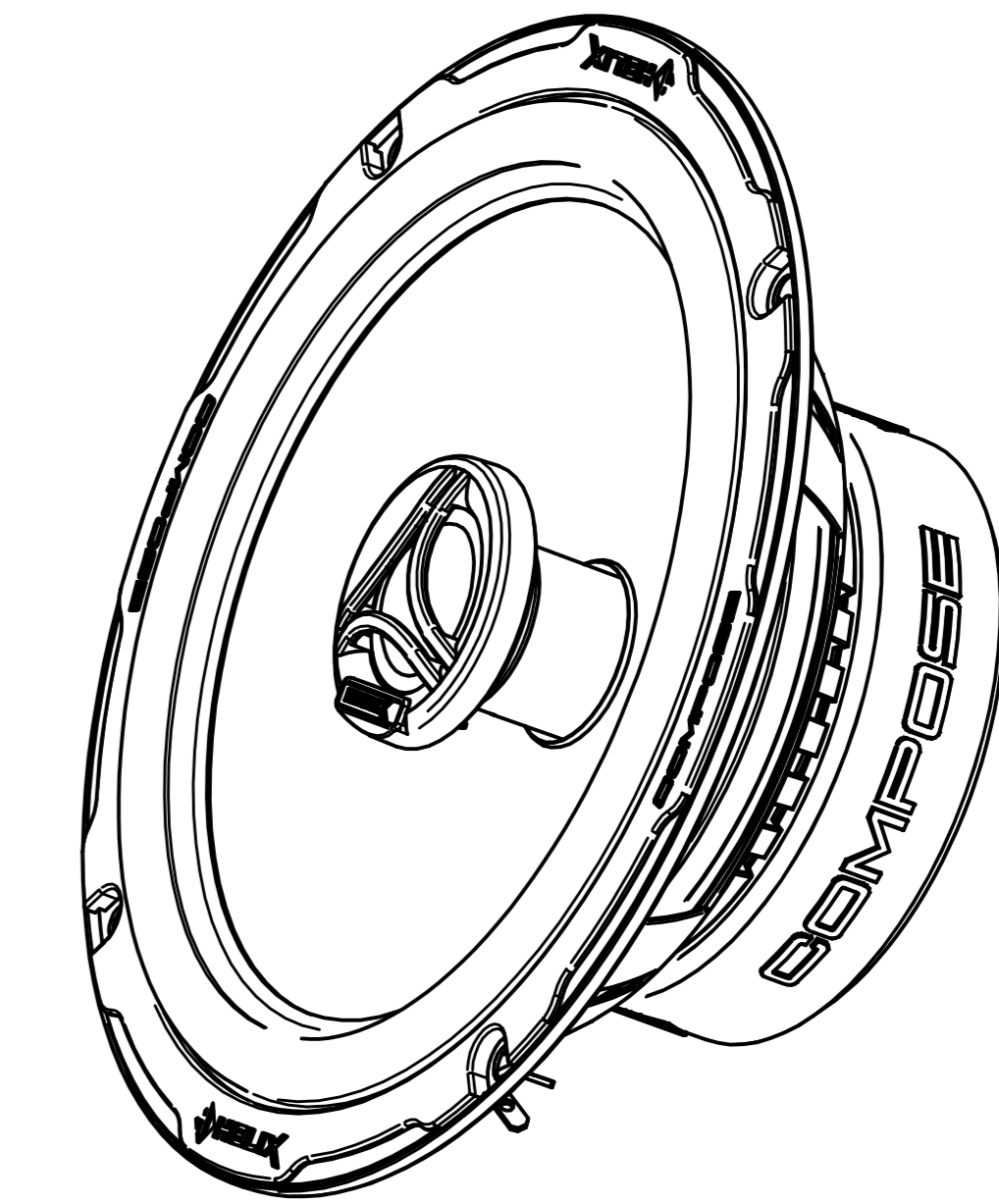
CB C100.2-S3

Technical specs	
P (W)	60 / 90
Z (Ω)	3
Re (Ω)	3.0
Fs (Hz)	113
frequency response (Hz)	100 - 22,000
cone material	TW: Silk dome W: Polypropylene cone
crossover	Integrated 6 dB slope
Qms	4.97
Qes	1.05
Qts	0.87
Cms (μm/N)	272
Vas (L)	0.8
B*I (Tm)	3.9
SPL (dB 2.83V/1m)	86
SPL (dB 1W/1m)	82
Sd (cm ²)	45
Mms (gr)	7.2
Rms (Kg/s)	1.04
voice coil ø (mm)	25
voice coil winding height (mm)	8.9
Xmax (mm)	+/- 2.5
outer ø (mm)	99.2
installation ø (mm)	89.5
installation depth (mm)	48.9



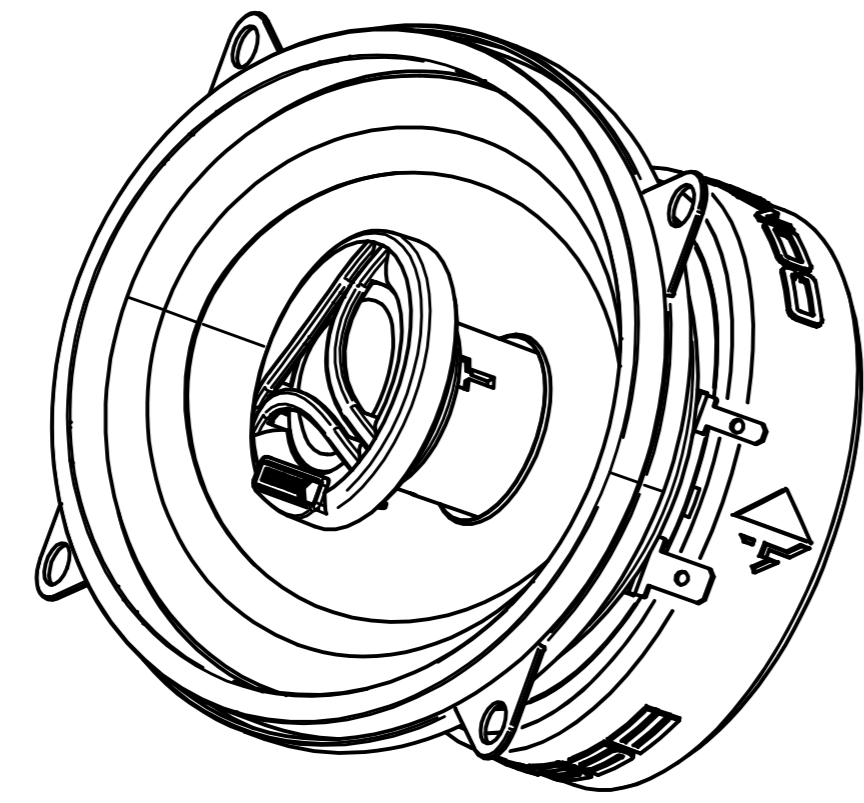
CB C130.2-S3

Technical specs	
P (W)	70 / 105
Z (Ω)	3
Re (Ω)	3.0
Fs (Hz)	92
frequency response (Hz)	80 - 22,000
cone material	TW: Silk dome W: Polypropylene cone
crossover	Integrated 6 dB slope
Qms	4.28
Qes	1.18
Qts	0.92
Cms (μm/N)	303
Vas (L)	4.0
B*I (Tm)	3.8
SPL (dB 2.83V/1m)	90
SPL (dB 1W/1m)	86
Sd (cm ²)	97
Mms (gr)	9.7
Rms (Kg/s)	1.33
voice coil ø (mm)	25
voice coil winding height (mm)	8.9
Xmax (mm)	+/- 2.5
outer ø (mm)	130
installation ø (mm)	118
installation depth (mm)	51.4



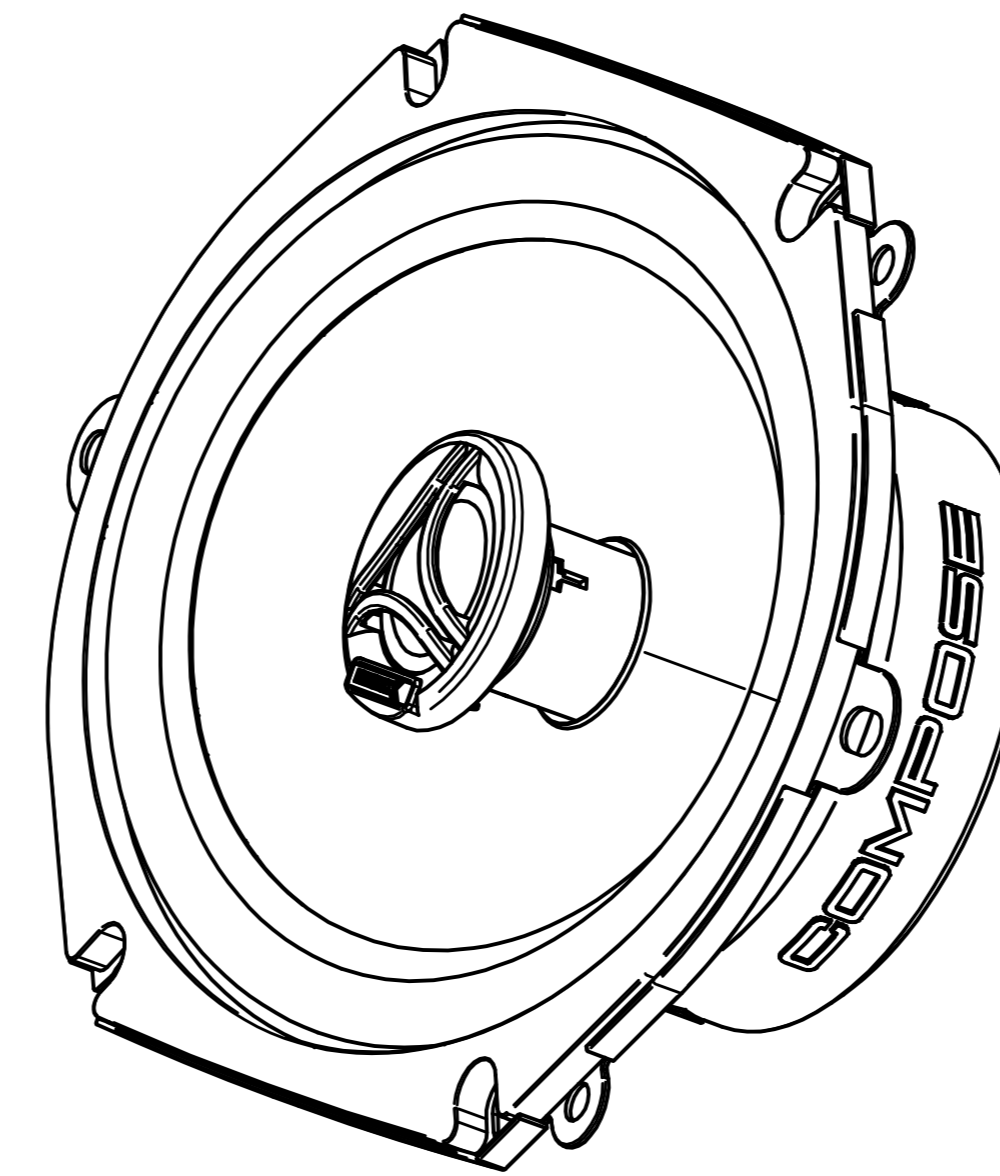
CB C165.2-S3

Technical specs	
P (W)	80 / 120
Z (Ω)	3
Re (Ω)	3.0
Fs (Hz)	65
frequency response (Hz)	60 - 22,000
cone material	TW: Silk dome W: Polypropylene cone
crossover	Integrated 6 dB slope
Qms	4.78
Qes	0.93
Qts	0.78
Cms (μm/N)	480
Vas (L)	12.9
B*I (Tm)	4.1
SPL (dB 2.83V/1m)	92
SPL (dB 1W/1m)	88
Sd (cm ²)	139
Mms (gr)	12.5
Rms (Kg/s)	1.09
voice coil ø (mm)	25
voice coil winding height (mm)	8.9
Xmax (mm)	+/- 2.5
outer ø (mm)	166
installation ø (mm)	143
installation depth (mm)	61.4



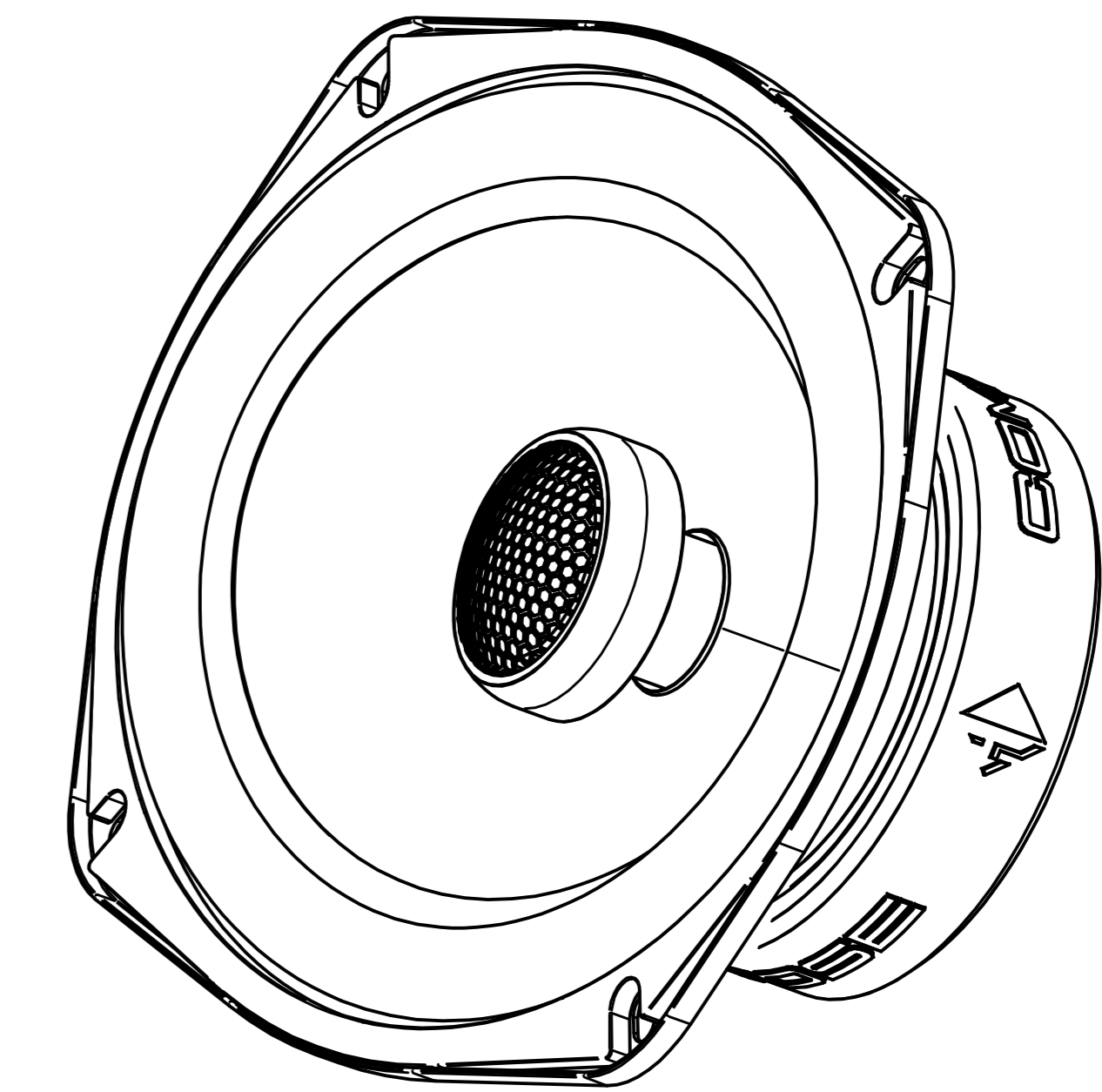
CB C460.2-S3

Technical specs	
P (W)	50 / 75
Z (Ω)	3
Re (Ω)	3.1
Fs (Hz)	120
frequency response (Hz)	90 - 22,000
cone material	TW: Silk dome W: Polypropylene cone
crossover	Integrated 6 dB slope
Qms	6.18
Qes	1.14
Qts	0.96
Cms (μm/N)	204
Vas (L)	1.7
B*I (Tm)	4.2
SPL (dB 2.83V/1m)	77
SPL (dB 1W/1m)	90
Sd (cm ²)	86
Mms (gr)	8.7
Rms (Kg/s)	1.06
voice coil ø (mm)	25
voice coil winding height (mm)	8.9
Xmax (mm)	+/- 2.5
outer ø (mm)	153.5 x 97.5
installation ø (mm)	141.9 x 86.9
installation depth (mm)	48.9



CB C570.2-S3

Technical specs	
P (W)	70 / 105
Z (Ω)	3
Re (Ω)	3.0
Fs (Hz)	67
frequency response (Hz)	60 - 22,000
cone material	TW: Silk dome W: Polypropylene cone
crossover	Integrated 6 dB slope
Qms	3.64
Qes	1.04
Qts	0.81
Cms (μm/N)	399
Vas (L)	12.4
B*I (Tm)	4.2
SPL (dB 2.83V/1m)	149
SPL (dB 1W/1m)	14.3
Sd (cm ²)	92
Mms (gr)	88
Rms (Kg/s)	1.64
voice coil ø (mm)	25
voice coil winding height (mm)	8.9
Xmax (mm)	+/- 2.5
outer ø (mm)	228.8 x 144
installation ø (mm)	181.5 x 125.5
installation depth (mm)	58.4



CB C690.2-S3

Technical specs	
P (W)	100 / 150
Z (Ω)	3
Re (Ω)	3.1
Fs (Hz)	56
frequency response (Hz)	50 - 22,000
cone material	TW: Silk dome W: Polypropylene cone
crossover	Integrated 6 dB slope
Qms	3.73
Qes	0.63
Qts	0.54
Cms (μm/N)	420
Vas (L)	24.7
B*I (Tm)	5.7
SPL (dB 2.83V/1m)	94
SPL (dB 1W/1m)	90
Sd (cm ²)	205
Mms (gr)	19.1
Rms (Kg/s)	1.81
voice coil ø (mm)	25
voice coil winding height (mm)	9.0
Xmax (mm)	+/- 2
outer ø (mm)	235 x 164
installation ø (mm)	218.4 x 150.6
installation depth (mm)	74.8